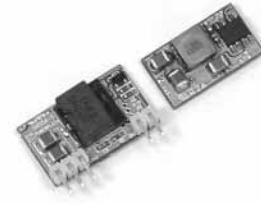


SNS5A

Non-isolated DC/DC POL converter

Total output current 5 A
Input voltages 5V or 12V Input
#of outputs Single output



SPECIAL FEATURES

- Delivers 5A of output Current
- High efficiency
- Low Output Ripple & Noise
- Small size and low profile 22.9mm × 13.9mm × 8.6mm (SIP package)
- Cost-efficient open frame design
- Single - in - line (SIP) & SMT package
- Remote ON/OFF (active low)
- Trimmable output voltage via external resistor
- Output Over current protection
- Over temperature protection
- Wide Operating temperature range -40 °C ~ 85 °C

ELECTRICAL SPECIFICATIONS

SNS 5A - 5 SIP Packages

- Efficiency 94% @ 3.3V
- Input voltage range 3.0V - 5.5V
- Output voltage 1.0V - 3.3V
- Voltage tolerance ± 2.0%
- Line regulation ± 0.3%
- Load regulation ± 0.4%
- Switching frequency 300KHz
- *Ripple & noise 30mVp-p (@3.3V)
- MTBF 1.5×10^6 hrs

SNS 5A - 12 SIP Packages

- Efficiency 92% @ 5.0V
- Input voltage range 10.0V - 14.0V
- Output voltage 1.0V - 5.0V
- Voltage tolerance ± 2.0%
- Line regulation ± 0.3%
- Load regulation ± 0.4%
- Switching frequency 300KHz
- *Ripple & noise 50mVp-p (@5V)
- MTBF 1.5×10^6 hrs

* Ripple & noise is tested / specified over a 20MHz bandwidth and may be reduced with external filtering.

Ordering Information

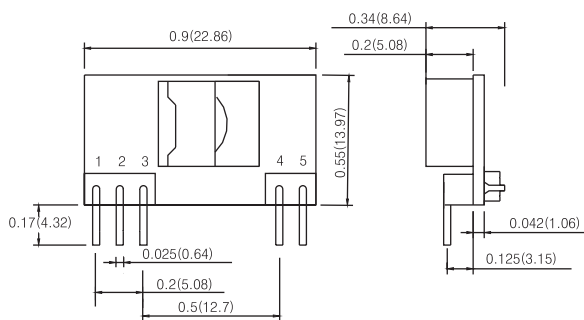
Input	Output	Maximum Power	Ripple & Noise max	Efficiency Typ.	Model Number
3.0-5.5V	1.0V@5A	5.0W	30mVp-p	82%	SNS5A-5-1R0
3.0-5.5V	1.5V@5A	7.5W	30mVp-p	87%	SNS5A-5-1R5
3.0-5.5V	1.8V@5A	9.0W	30mVp-p	88%	SNS5A-5-1R8
3.0-5.5V	2.0V@5A	10.0W	30mVp-p	90%	SNS5A-5-2R0
3.0-5.5V	2.5V@5A	12.0W	30mVp-p	92%	SNS5A-5-2R5
4.5-5.5V	3.3V@5A	16.5W	30mVp-p	94%	SNS5A-5-3R3
10-14V	1.0V@5A	5.0W	50mVp-p	81%	SNS5A-12-1R0
10-14V	1.5V@5A	7.5W	50mVp-p	84%	SNS5A-12-1R5
10-14V	1.8V@5A	9.0W	50mVp-p	85%	SNS5A-12-1R8
10-14V	2.5V@5A	12.0W	50mVp-p	87%	SNS5A-12-2R5
10-14V	3.3V@5A	16.5W	50mVp-p	89%	SNS5A-12-3R3
10-14V	5.0V@5A	25.0W	50mVp-p	92%	SNS5A-12-5R0

1. Typical at $T_a = +25^\circ\text{C}$ under nominal line voltage and full load conditions, unless otherwise noted. All models are tested and specified with external input and output capacitors. ($C_{in} = 100\mu\text{F} \times 2$ $C_{out} = 10\mu\text{F}$). These capacitors are necessary to accommodate our test equipment
2. Ripple & Noise is tested / specified over a 20MHz bandwidth and may be reduced with external filtering. See I/O Filtering
3. These device have no minimum-load requirement and will regulate Under no-load conditions. Regulation specification describe the output voltage deviation as the line voltage or load is varied from its minimum value to either extreme.

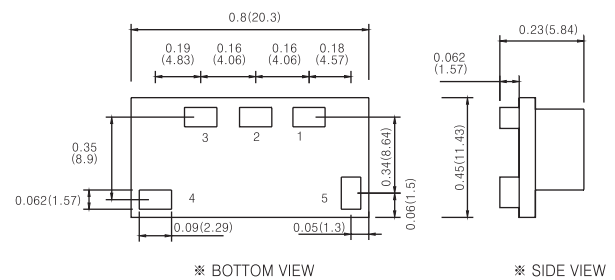
Pin assignment

Single Output (SIP)	Single Output (SMT)
1. +Vout	1. +Vout
2. Trim	2. Trim
3. COM	3. COM
4. +Vin	4. +Vin
5. ON/OFF	5. ON/OFF

Dimensions



<SIP TYPE>



* BOTTOM VIEW

* SIDE VIEW

<SMT TYPE>

NOTES

1. All dimensions are in inches (mm)
2. Weight : 3.5g or less (SIP)
2.4g or less (SMT)