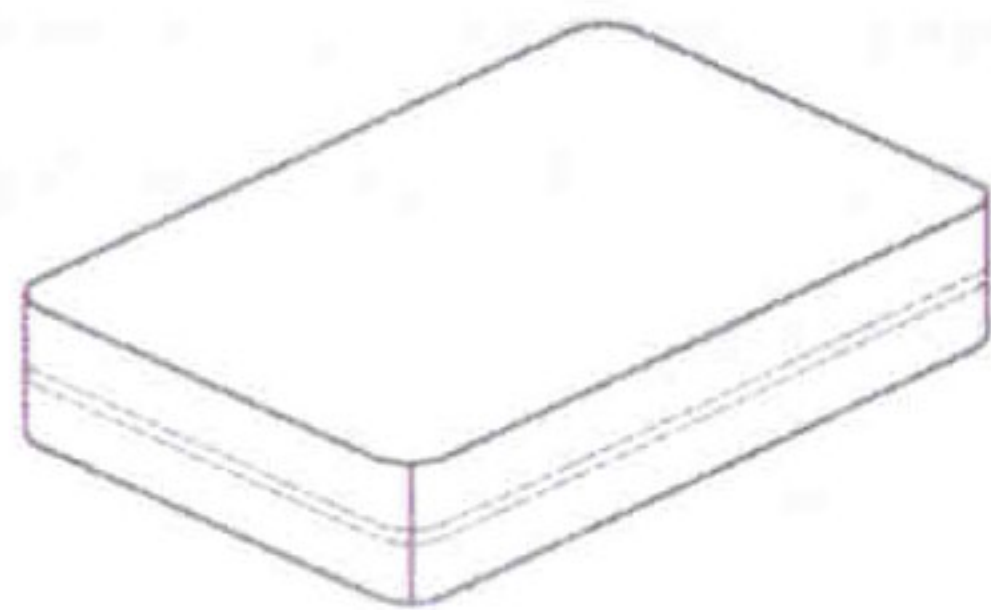
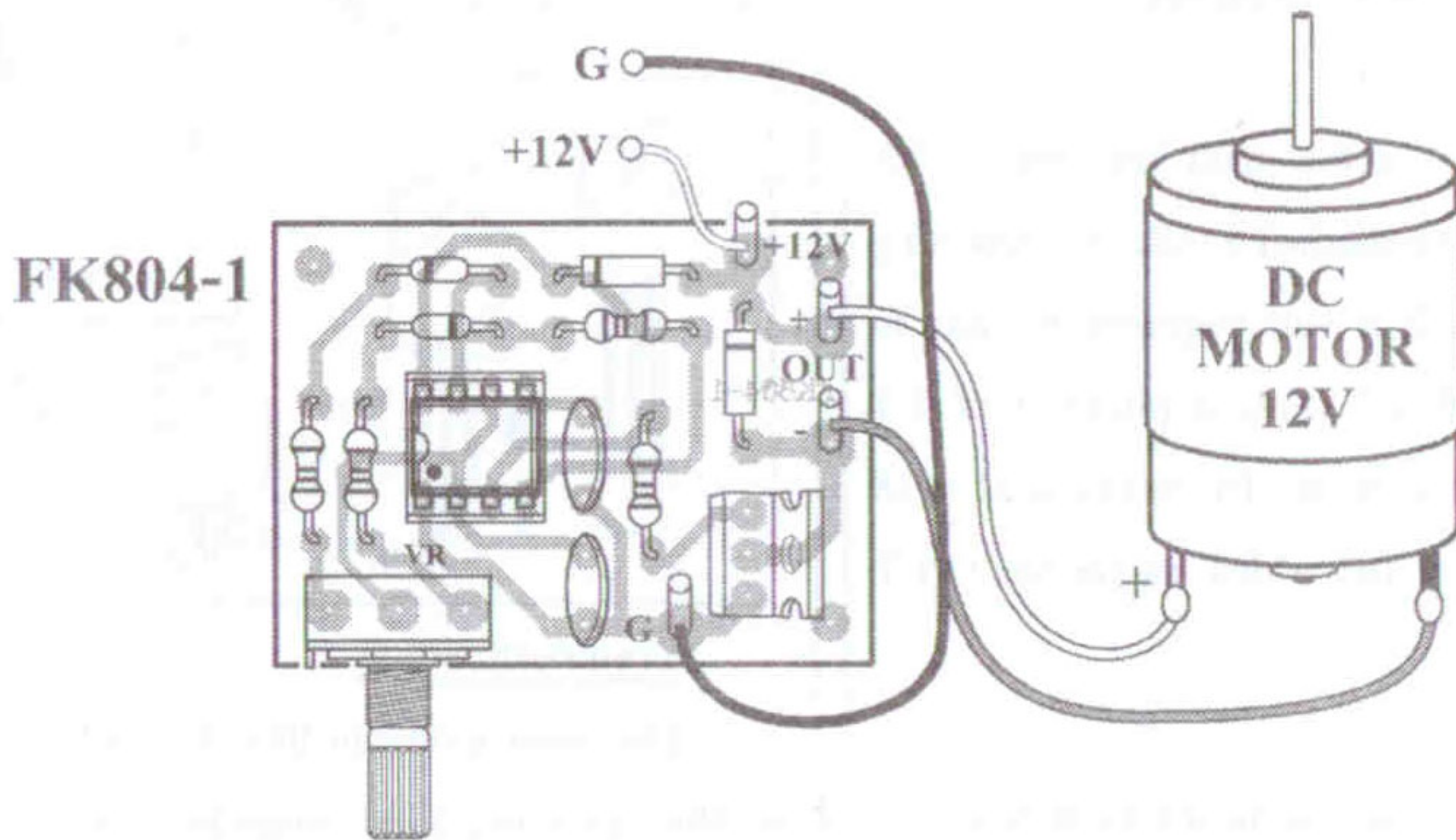


Figure 2. The DC motor speed control circuit

Figure 3. Connections



NOTE:

FUTURE BOX FB20 is suitable for this kit.

NEW KIT SET

CODE FK	DESCRIPTION	POWER
168	NO SMOKING FLASHER 46 LED	9-12VDC
170	DANGER FLASHER 42 LED	9-12VDC
172	THREE STEP FLASHER 19 LED	9-12VDC