

Figure 2. The AM radio receiver (stereo) circuit

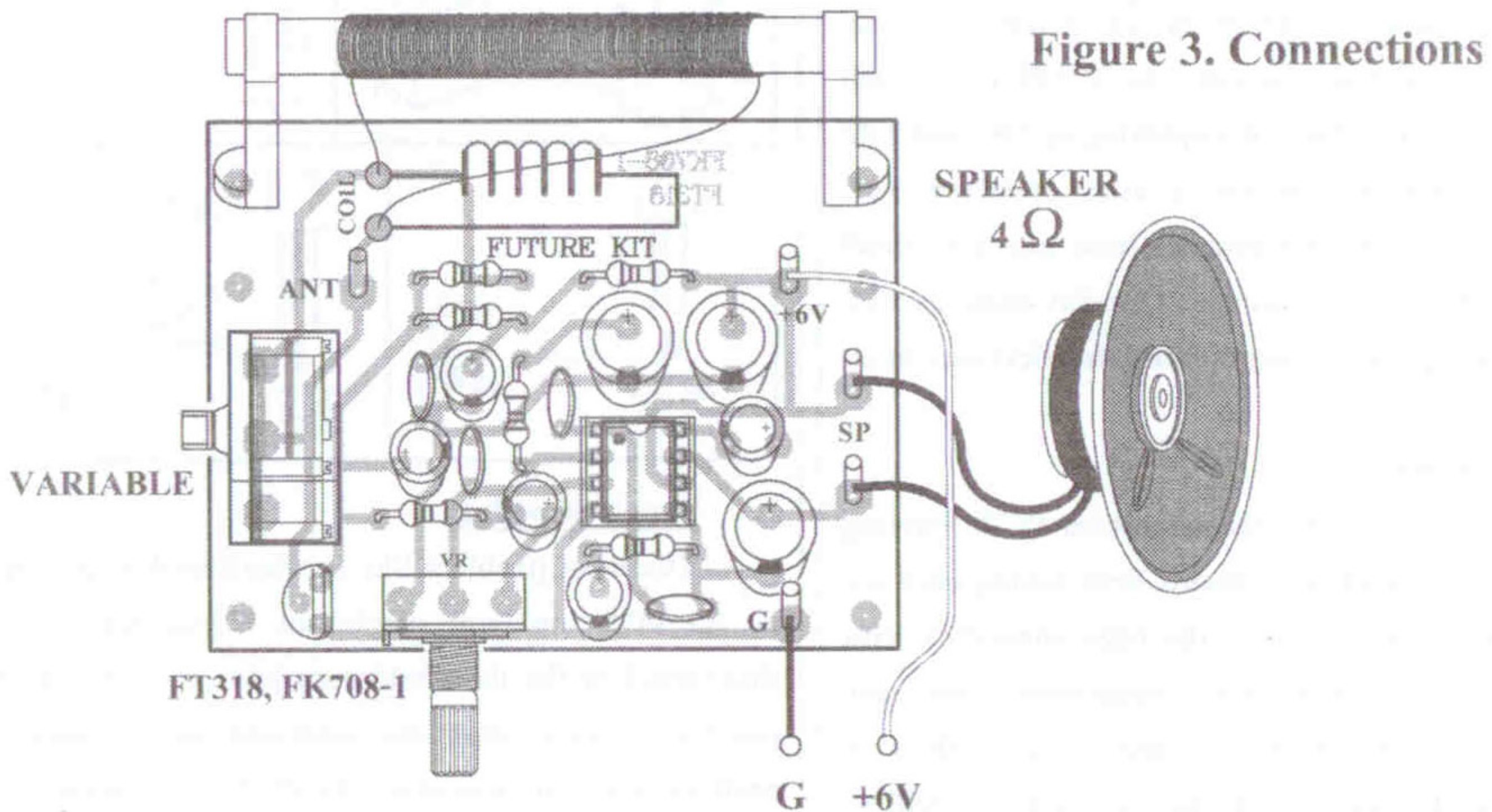
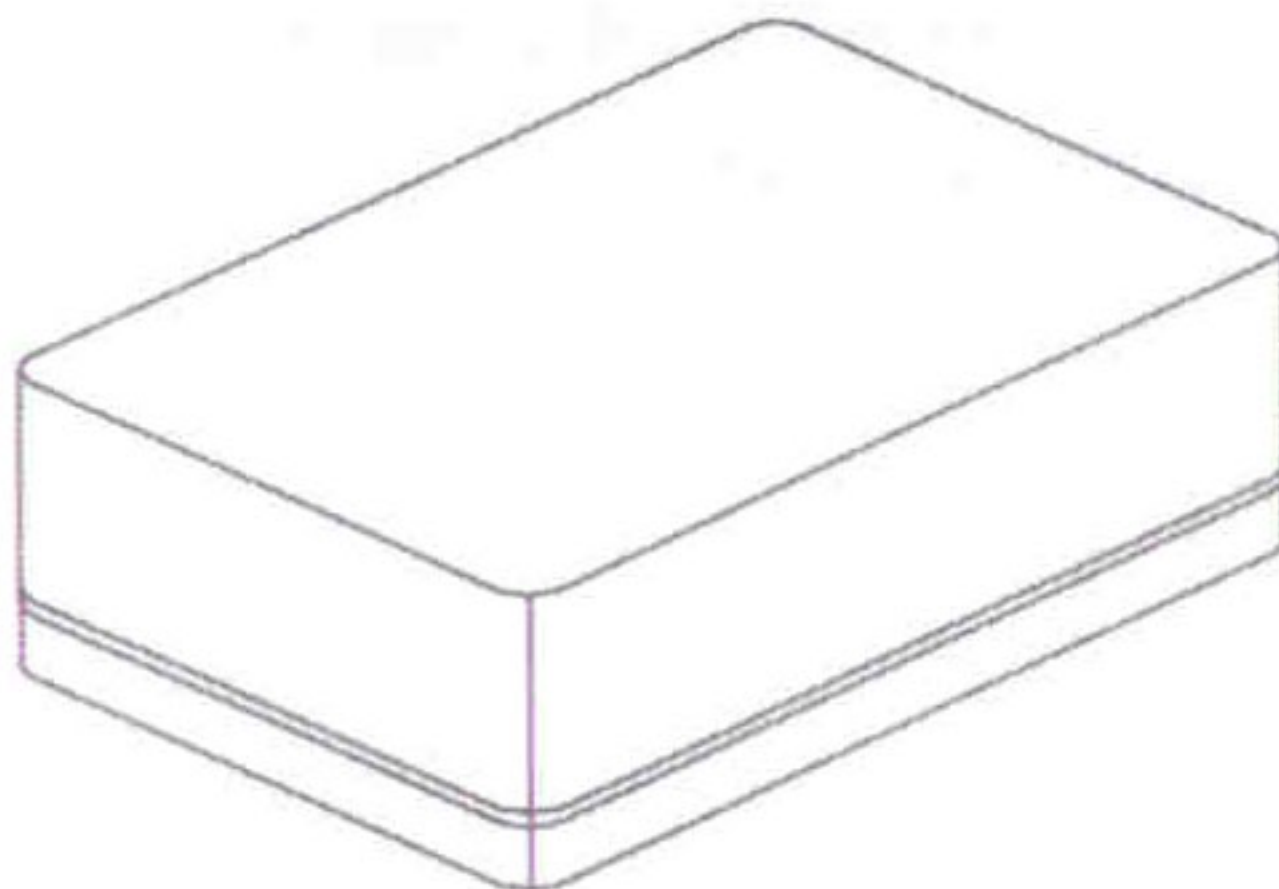


Figure 3. Connections



NOTE:

FUTURE BOX FB04 is suitable for this kit.

NEW KIT SET 

CODE FK	DESCRIPTION	POWER
511	TWO FUNCTION INFRARED SENSOR	12VDC
674	POWER AMP. 2W. MONO WITH SPEAKER	9-12VDC
675	POWER AMP. 2+2W. STEREO WITH SPEAKER	9-12VDC