

Figure 2. The power amp OTL 30W R1% circuit

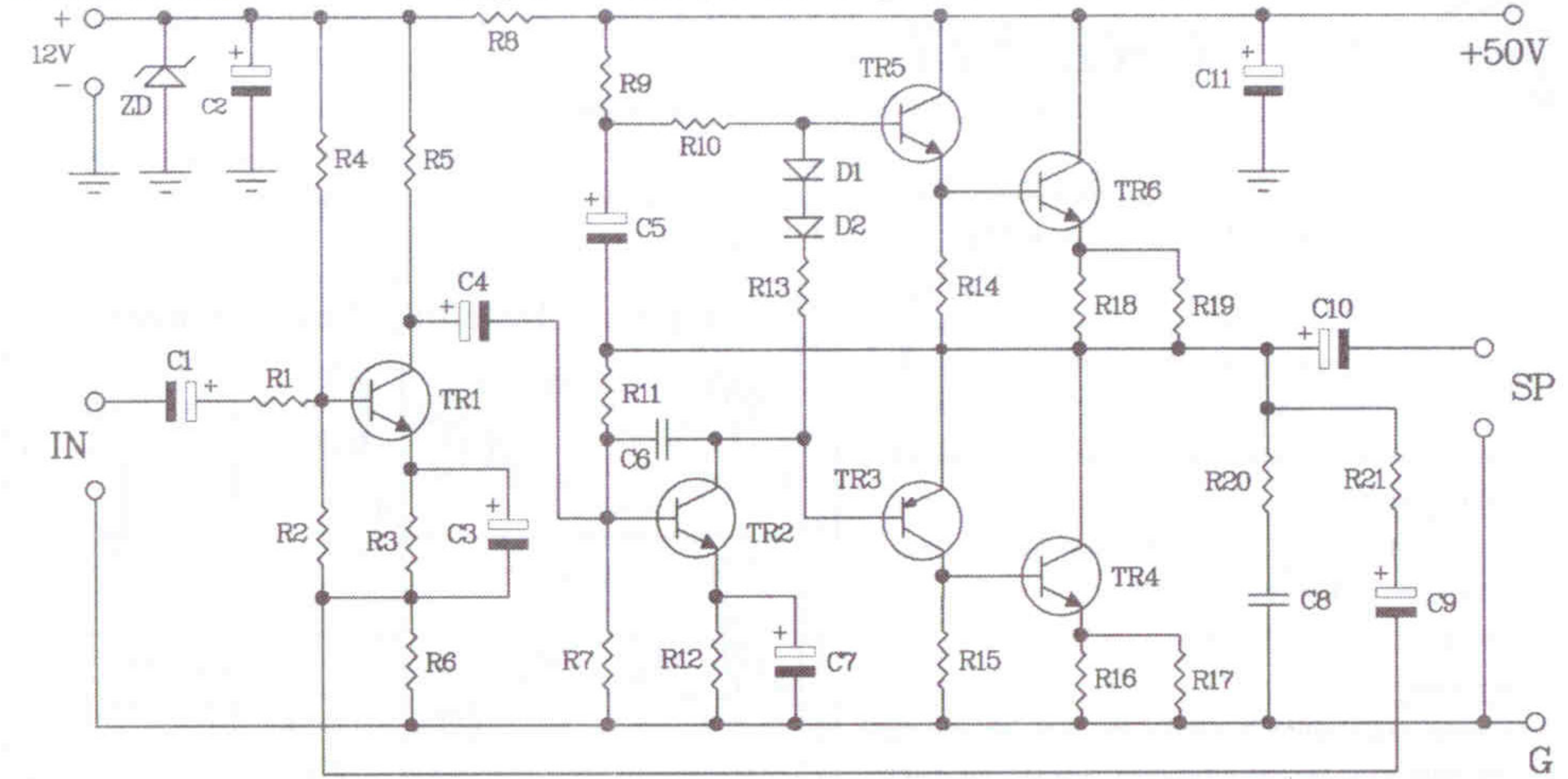


Figure 3. Connections

