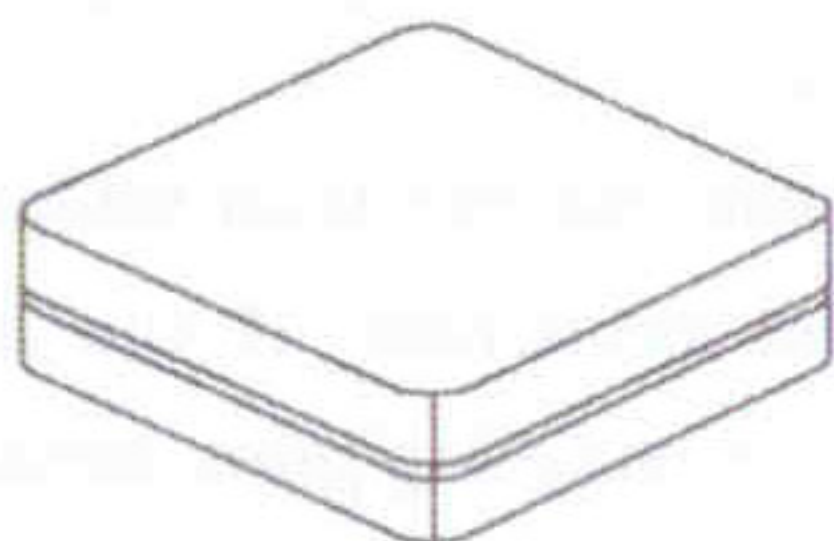
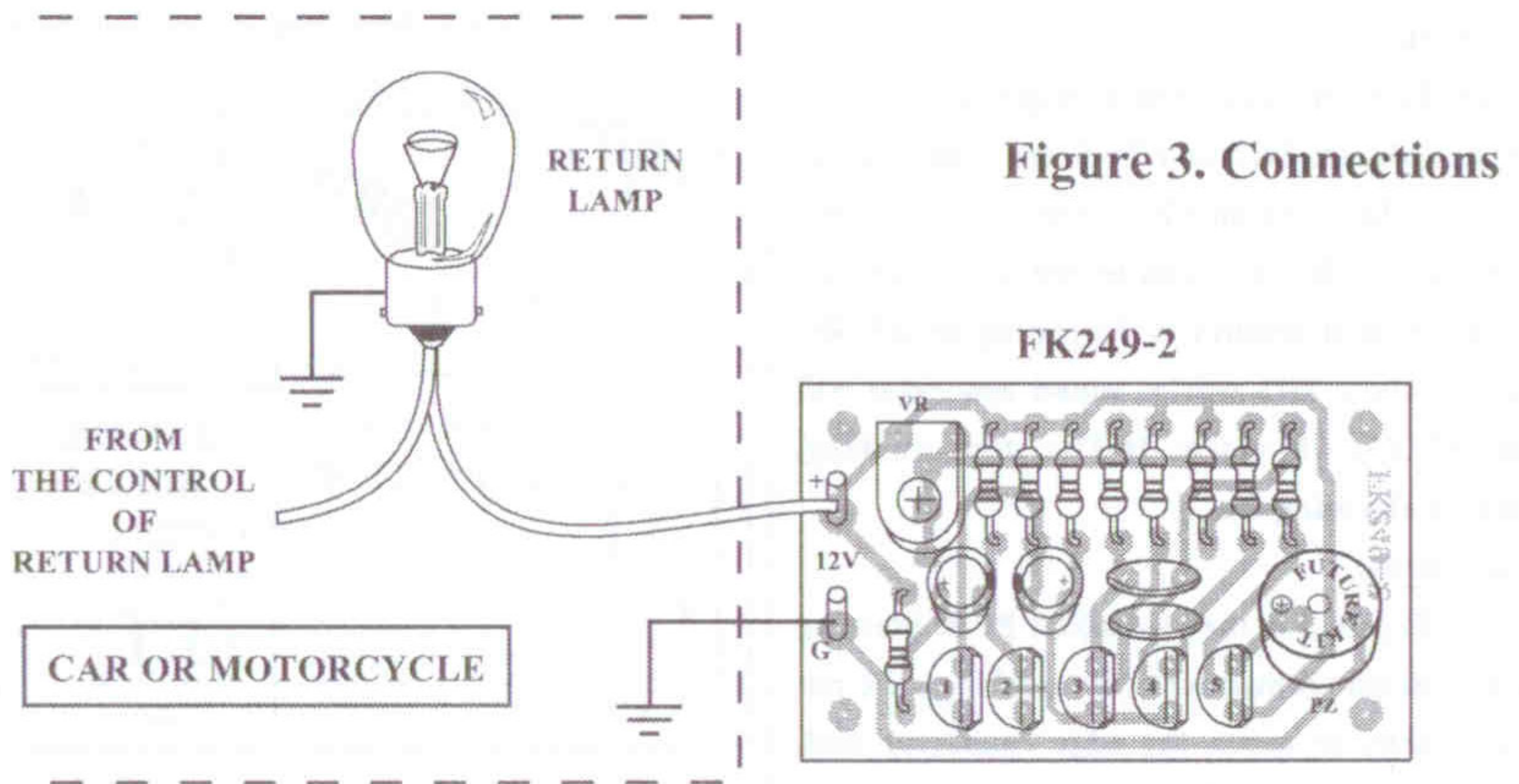
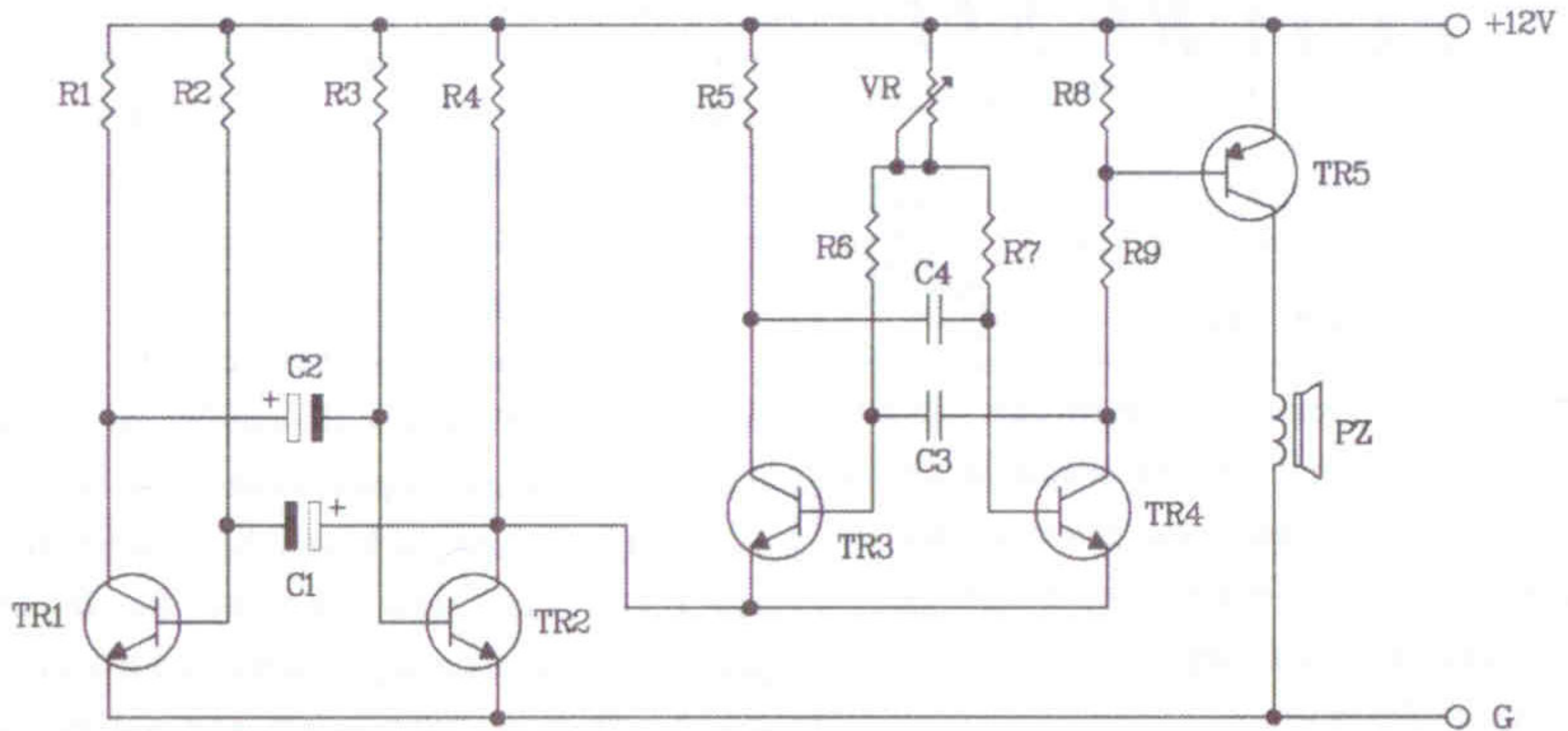


Figure 2. The car return alarm circuit



NOTE:

FUTURE BOX FB01 is suitable for this kit.

NEW KIT SET

CODE FK	DESCRIPTION	POWER
511	TWO FUNCTION INFRARED SENSOR	12VDC
674	POWER AMP. 2W MONO WITH SPEAKER	9-12VDC
675	POWER AMP. 2+2W STEREO WITH SPEAKER	9-12VDC