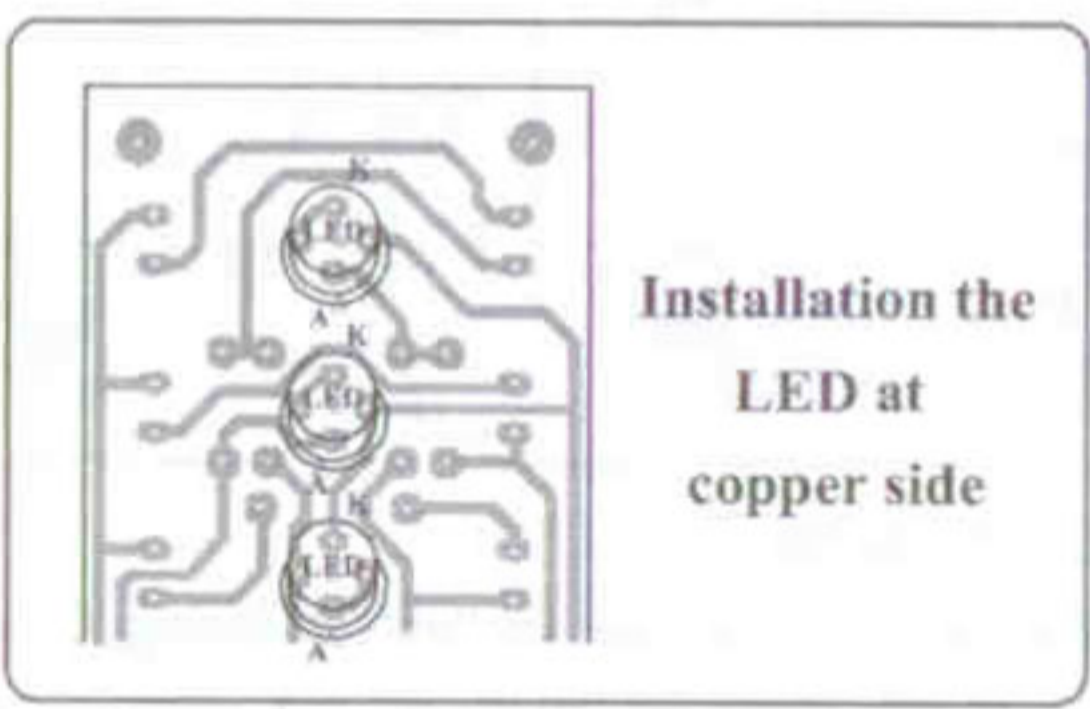


Figure 2. Traffic light 4 way 12 LED circuit

Figure 3. Connections



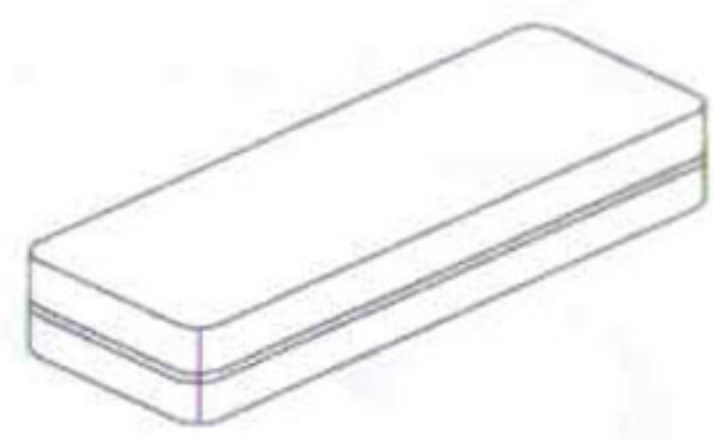
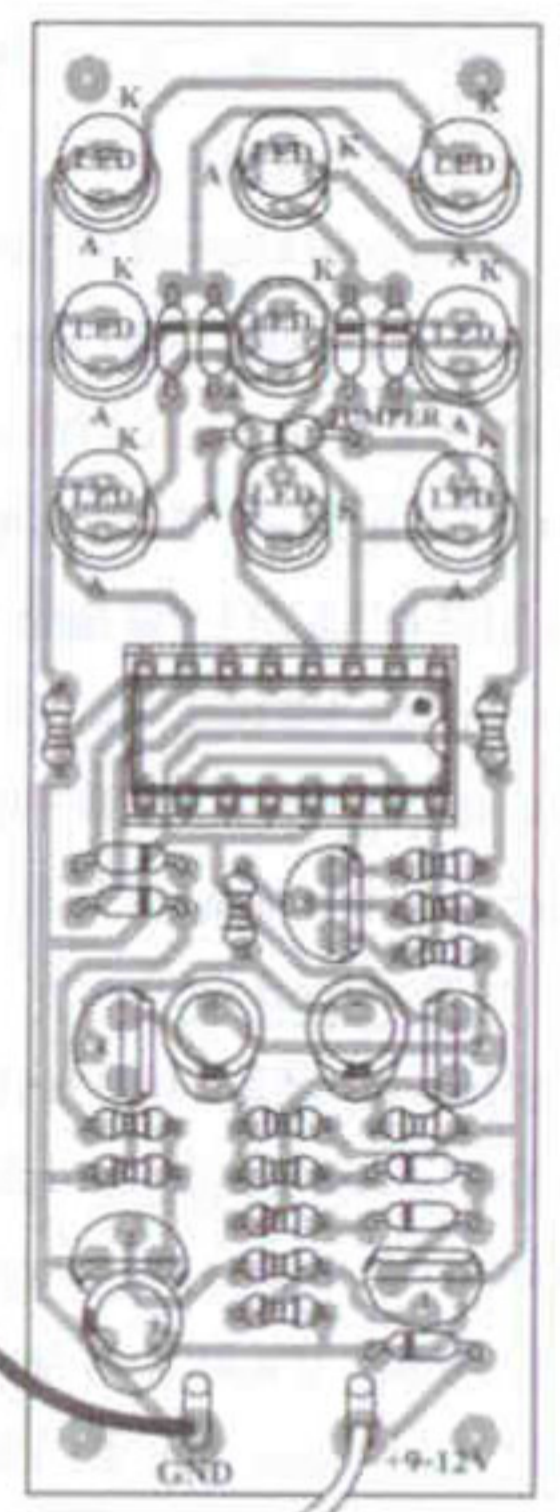
Installation the LED at copper side

FK148-2

POWER SOURCE
9 VOLTS



black -
red +



NOTE:

FUTURE BOX FB02 is suitable for this kit.

NEW KIT SET

CODE FK	DESCRIPTION	POWER
271	LIGHT ACTIVATE ALARM (COCK VOICE) WITH SPEAKER	3VDC
272	SPACE GUN 3 TONE WITH SPEAKER	9VDC