

LED DATA SHEET

Part No.	WR148UE/W		
Emitted Color	Super Red	Len's Color	Water Clear
Chip Materia	AlGaInP		

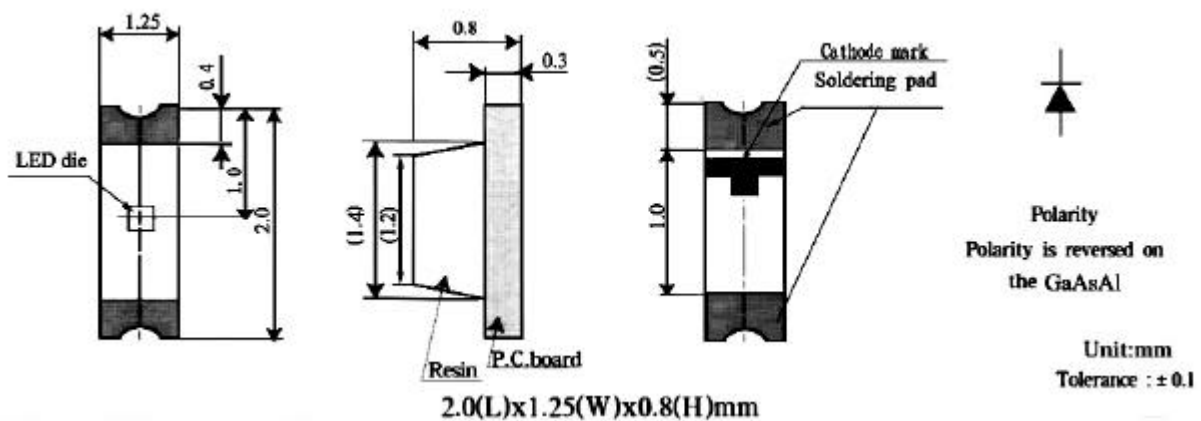
Features:

Compatible with automatic placement equipment
Compatible with reflow solder process
Low power consumption and wide viewing angle

Applications:

Automotive and Telecommunication
Flat backlight for LCD ,switch and symbol in telephone and fax
General use for indicators

Package Dimensions:



Note:

- 1、 All dimensions are in millimetres (mm)
- 2、 Tolerance is ± 0.1 mm unless otherwise noted

Absolute Maximum Rating (Ta=25)

Parameter	Symbol	Max.	Unit
Power Dissipation	P_M	60	Mw
Pulse Forward Current (1/10 duty and 0.1msec width)	I_{FP}	60	mA
Continuous Forward Current	I_F	25	mA
Reverse Voltage	V_R	5	V
Operating Temperature Range	T_{opr}	-40 ~ 85	
Storage Temperature Range	T_{stg}	-40 ~ 100	
Reflow Soldering : 250 , 5sec , max			

Electrical Optical Characteristics (Ta=25)

Parameter	Symbol	Min.	Typ.	Max.	Unit	Test Condition
Luminous Intensity	I_V	--	80	--	mcd	$I_F=20mA$
Forward Voltage	V_F	--	2.0	2.5	V	$I_F=20mA$
Reverse Current	I_R	--		10	μA	$V_R=5V$
Dominant Wavelength	λ_d	--	630	--	nm	$I_F=20mA$
Peak Emission Wavelength	λ_p	--	640	--	nm	$I_F=20mA$
Spectral Line Half Width		--	30	--	nm	$I_F=20mA$
Viewing Angle	$2\ 1/2$	--	125	--	Deg.	$I_F=20mA$

BIN Code	J	K	L	M	N
Luminous Intensity @ $I_F=10mA$	45~60	60~80	80~100	100~130	130~160

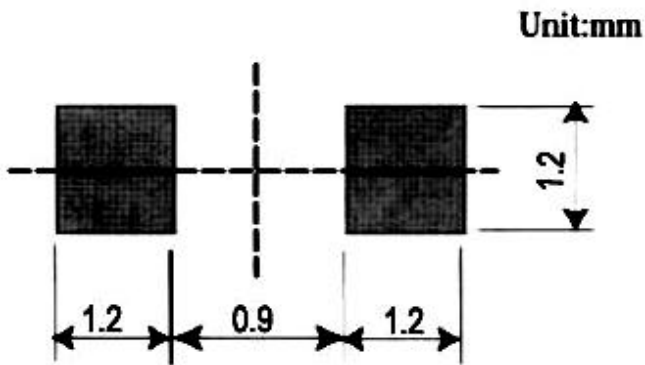
Classing Marking:

For example

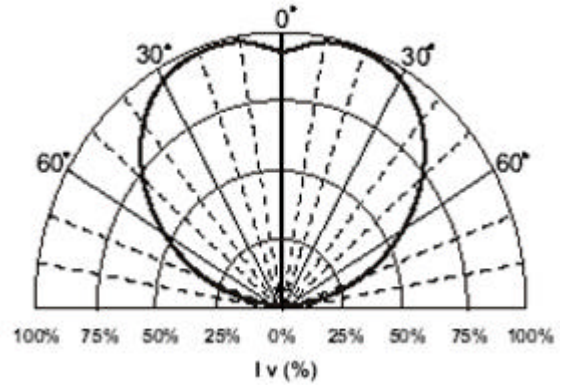
HKOOL

Code Order : Voltage—Dominant Wavelength—OO—Luminous Intensity

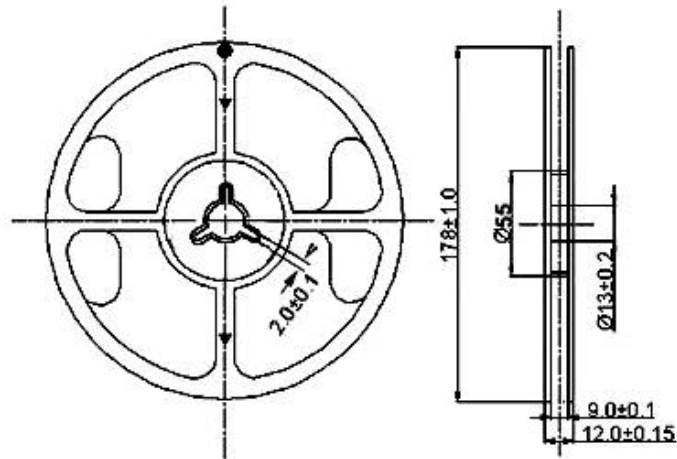
Soldering Pad Dimensions:



Viewing Pattern



Package Tape Specifications: 3000 pcs/reel



Unit:mm

