

HIGH SPEED LAN 10/100BASE-TX QUAD MAGNETIC MODULE

General Specifications

Compatible with IEEE 802.3 and ANSI X3.263 standards
 Designed to four single or double stacked RJ-45 connectors
 40pin Surface Mountable

Electrical Specification @25

O.C.L.:350uH min. @ 100KHz/0.2Vrms 8mA DC bias

C.W.W.:55pF max. @100KHz/0.2Vrms

D.C.R.:0.9 Ω max.

Leakage Inductance:0.5uH max. @100KHz/0.2Vrms

Hi-Pot : 1500 Vrms (Primary/Secondary)

Turn Ratio (±3%) :1CT:1CT

Insertion Loss(0.1-100MHz): 1.0dB max.

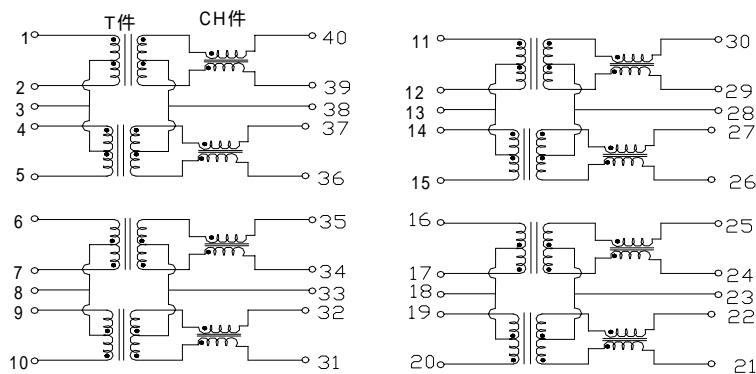
C.M.R.R.(0.1-60MHz):-30dB Typ.

D.M.R.R.: 1-60MHz 60-200MHz
 -40dB min. -30dB max.

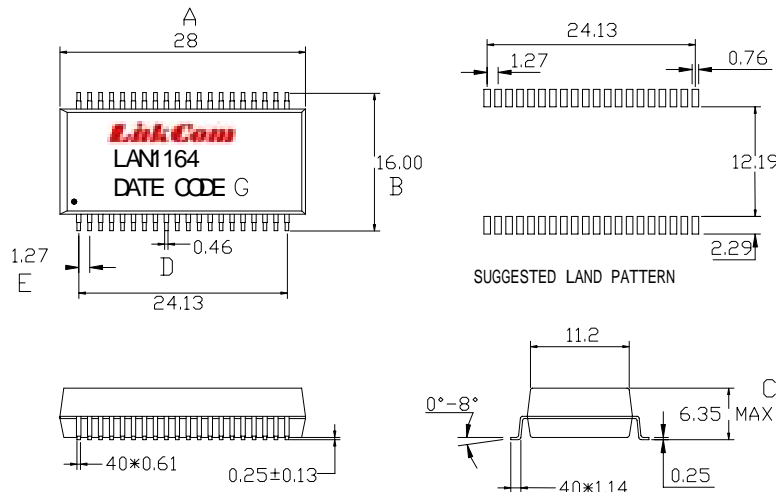
Return Loss: 2-30MHz 40MHz 50MHz 60-80MHz
 18dB min. 14.4dB min. 13.1dB min. 12dB min.

Cross Talk: 1MHz 30MHz 60MHz 100MHz
 -55dB min. -45dB min. -40dB min. -33dB min.

Schematic:



Dimensions:



Dimension: mm

Unless otherwise specified, all tolerances are ± 0.25