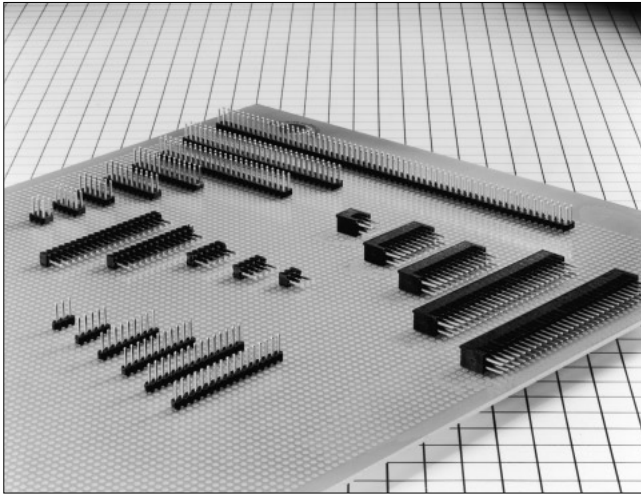


# 2.54mm Pitch High Density Connector

## A1 and A2 Series



### ■Features

#### 1. High Density Mounting

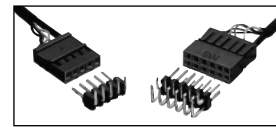
Connectors are aligned in the longitudinal direction on the 2.54 mm mesh board, so that no idle space can occur.

#### 2. Variation in Number of Contacts

The A1 series contains 16 types of 6 to 64 contacts, while the A2 series contains 20 types of 1 to 20 contacts,

#### 3. Compatibility

The A1 series is compatible with HIF3B series cable side and HIF3H receptacle for wide applications.



### ■Product Specifications

Rating	Current rating: 3A	Operating Temperature Range: -55 to +85°C (Note 1)	Storage Temperature Range: -10 to +60°C (Note 2)
	Voltage rating: 200V AC	Operating Moisture Range: 40 to 80%	Storage Humidity Range: 40 to 70% (Note 2)

Item	Specification	Condition
1. Insulation Resistance	1000M ohms min.	500V DC
2. Withstanding voltage	No flashover or insulation breakdown.	650V AC/1 minute
3. Contact Resistance	15m ohms max.	0.1A
4. Vibration	No electrical discontinuity of 1 $\mu$ s or more	Frequency: 10 to 55 Hz, single amplitude of 0.75 mm, 2 hours in each of the 3 directions.
5. Humidity (Steady state)	Insulation resistance 1000M ohms min.	96 hours at temperature of 40°C and humidity of 90% to 95%
6. Temperature Cycle	No damage, cracks, or parts looseness.	(-65°C: 30 minutes → 15 to 35°C: 5 minutes max. → 125°C: 30 minutes → 15 to 35°C: 5 minutes max.) 5 cycles
7. Operating Life	Contact resistance: 15m ohms max.	500 cycles
8. Resistance to Soldering heat	No deformation of components affecting performance.	Flow: 260°C for 10 seconds
		Manual soldering: 300°C for 3 seconds

Note 1: Includes temperature rise caused by current flow.

Note 2: The term "storage" refers to products stored for long period of time prior to mounting and use. Operating Temperature Range and Humidity range covers non conducting condition of installed connectors in storage, shipment or during transportation.

### ■Applications

Computers, VTR, and other various kinds of electronic equipment

### ■Material

Part		Material	Finish	Remarks
Pin header	Insulator	PBT	Black	UL94V-0
	Contact	Brass	Selective gold plated	————
Crimping socket		Polyamid	Black	UL94V-0
Crimping contact		Phosphor bronze	Selective gold plated	————

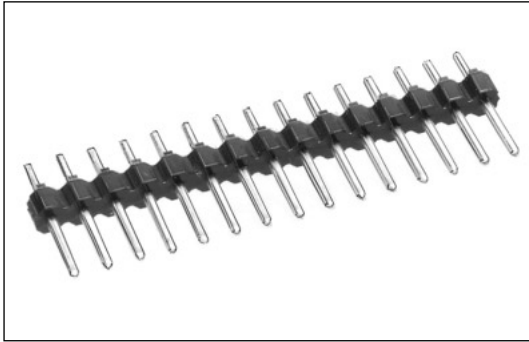
## ■ Ordering Information

### ● Pin Header

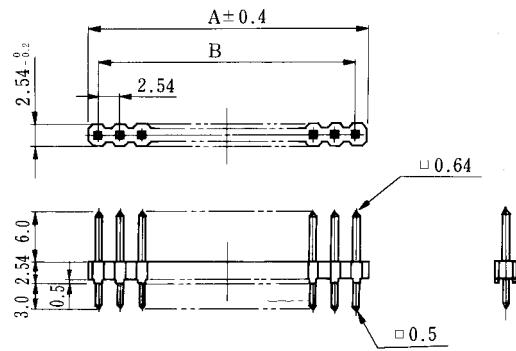
**A** **1** - **6** **P** **A** - **2.54** **DS**  
**①** **②** **③** **④** **⑤** **⑥** **⑦**

<b>①</b> Series Name: A
<b>②</b> Series No.:1 (double row) 2 (single row)
<b>③</b> Number of contacts: A1...6, 8, 10, 12, 14, 16, 20, 24, 26, 34, 40, 50, 60, 64 A2...1, 2, 3, 4, 5, 6, 7, 8, 9, 10, 11, 12, 13, 14, 15, 16, 17, 18, 19, 20
<b>④</b> P: Pin header
<b>⑤</b> A: Selective gold plated
<b>⑥</b> Contact pitch : 2.54mm
<b>⑦</b> Contact type: DS : Right angle type DSA : Straight type

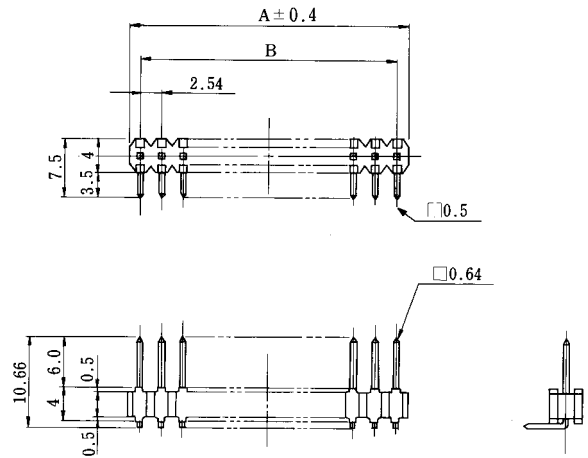
## ■ A2 (Single Row)-DIP Type



### ● Straight type



### ● Right angle type



### ● Straight type

Unit: mm

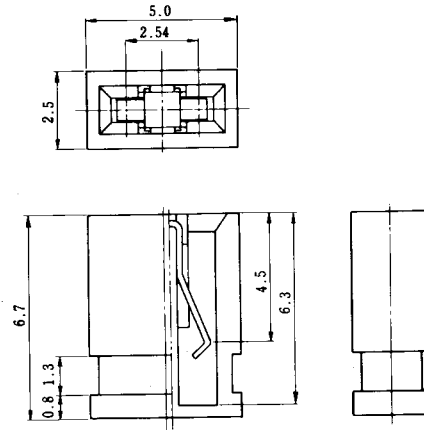
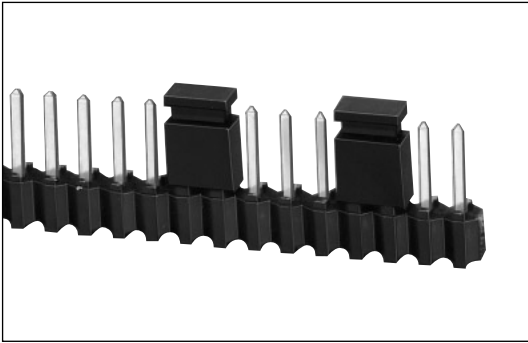
Part Number	CL No.	Number of Contacts	A	B
A2- 1PA-2.54DSA	620-0051-5	1	2.24	—
A2- 2PA-2.54DSA	620-0052-8	2	4.78	2.54
A2- 3PA-2.54DSA	620-0053-0	3	7.32	5.08
A2- 4PA-2.54DSA	620-0054-3	4	9.86	7.62
A2- 5PA-2.54DSA	620-0055-6	5	12.40	10.16
A2- 6PA-2.54DSA	620-0056-9	6	14.94	12.70
A2- 7PA-2.54DSA	620-0057-1	7	17.48	15.24
A2- 8PA-2.54DSA	620-0058-4	8	20.02	17.78
A2- 9PA-2.54DSA	620-0059-7	9	22.56	20.30
A2-10PA-2.54DSA	620-0060-6	10	25.10	22.86
A2-11PA-2.54DSA	620-0061-9	11	27.64	25.40
A2-12PA-2.54DSA	620-0062-1	12	30.18	27.94
A2-13PA-2.54DSA	620-0063-4	13	32.72	30.48
A2-14PA-2.54DSA	620-0064-7	14	35.26	33.02
A2-15PA-2.54DSA	620-0065-0	15	37.80	35.56
A2-16PA-2.54DSA	620-0066-2	16	40.34	38.10
A2-17PA-2.54DSA	620-0067-5	17	42.88	40.64
A2-18PA-2.54DSA	620-0068-8	18	45.42	43.18
A2-19PA-2.54DSA	620-0069-0	19	47.96	45.72
A2-20PA-2.54DSA	620-0070-0	20	50.50	48.26

### ● Right angle type

Unit: mm

Part Number	CL No.	Number of Contacts	A	B
A2- 1PA-2.54DS	620-0001-7	1	2.24	—
A2- 2PA-2.54DS	620-0002-0	2	4.78	2.54
A2- 3PA-2.54DS	620-0003-2	3	7.32	5.08
A2- 4PA-2.54DS	620-0004-5	4	9.86	7.62
A2- 5PA-2.54DS	620-0005-8	5	12.40	10.16
A2- 6PA-2.54DS	620-0006-0	6	14.94	12.70
A2- 7PA-2.54DS	620-0007-3	7	17.48	15.24
A2- 8PA-2.54DS	620-0008-6	8	20.02	17.78
A2- 9PA-2.54DS	620-0009-9	9	22.56	20.30
A2-10PA-2.54DS	620-0010-8	10	25.10	22.86
A2-11PA-2.54DS	620-0011-0	11	27.64	25.40
A2-12PA-2.54DS	620-0012-3	12	30.18	27.94
A2-13PA-2.54DS	620-0013-6	13	32.72	30.48
A2-14PA-2.54DS	620-0014-9	14	35.26	33.02
A2-15PA-2.54DS	620-0015-1	15	37.80	35.56
A2-16PA-2.54DS	620-0016-4	16	40.34	38.10
A2-17PA-2.54DS	620-0017-7	17	42.88	40.64
A2-18PA-2.54DS	620-0018-0	18	45.42	43.18
A2-19PA-2.54DS	620-0019-2	19	47.96	45.72
A2-20PA-2.54DS	620-0020-1	20	50.50	48.26

## ■ Short Pin



## ■ Performance

Item	Rating Value
Contact Resistance	30m ohms max. at 0.1A DC
Insulation Resistance	1000M ohms min. at 500V DC
Current rating	3A

Part Number	CL No.
HIF3GA-2.54SP	562-0403-4