

Mango1808 Premium Package

[AM1808 EVB]

<http://www.mangoboard.com/>

<http://cafe.naver.com/embeddedcrazyboys>

Crazy Embedded Laboratory

Document History

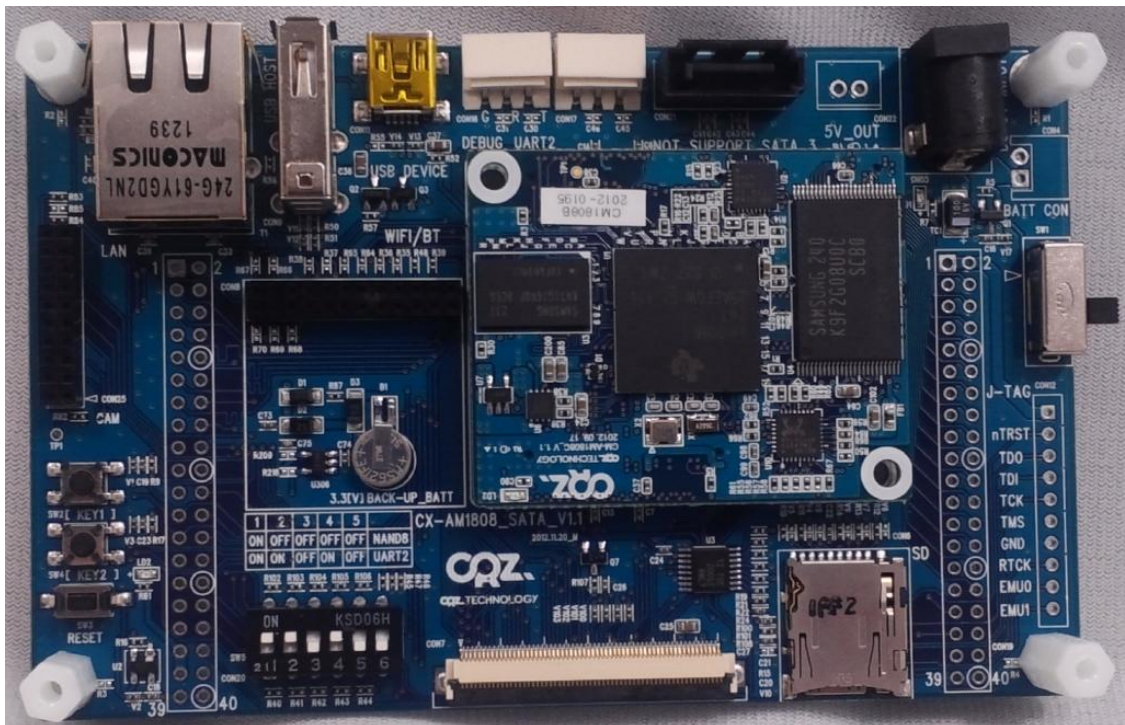
Revision	Date	Change note

제품소개	5
1. Mango1808 Hardware Specification	6
2. BOOT MODE	15
3. Manual.....	15

제품소개

TI 375/456MHz 고성능 ARM9EJ-S Application Processor 탑재 개발 보드

- TI AM1808 (ARM926EJ-S Application Processor) Development Board
- Widows CE 6.0, Linux,Android 지원
- SATA,USB Host, USB Device, 10/100 Mbps Ethernet, microSD socket, Audio Codec 기본 지원
- WIFI/Bluetooth, 각종 TFT LCD 인터페이스 확장 지원



Mango1808 Premium Package 1
[ARM926EJ-S AM1808 EVB]
CPU: AM1808 ZWT4 456MHz
SATA 지원

구성
CPU 모듈 + 확장보드
+7" 800x480 LCD (감압식)
+아크릴
+어댑터
+이더넷 케이블
+ 3pin Serial

	+CM-RS232 Module + WiFi/BT 모듈 (재고에 따라 IC 변경 될 수 있음) 가격: 275,000원 (VAT 미포함가)
--	---

카드 결제:

<http://www.mangoboard.com/sub2.html?ptype=view&prcode=1211080003&catcode=&page=1>

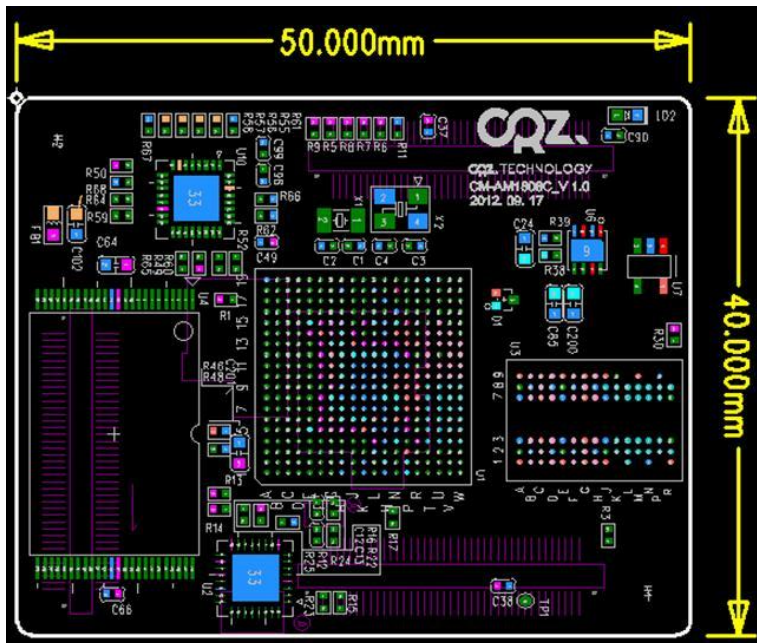
입금 계좌: 317-0000-9066-31 (농협: 씨알지테크놀로지주식회사)

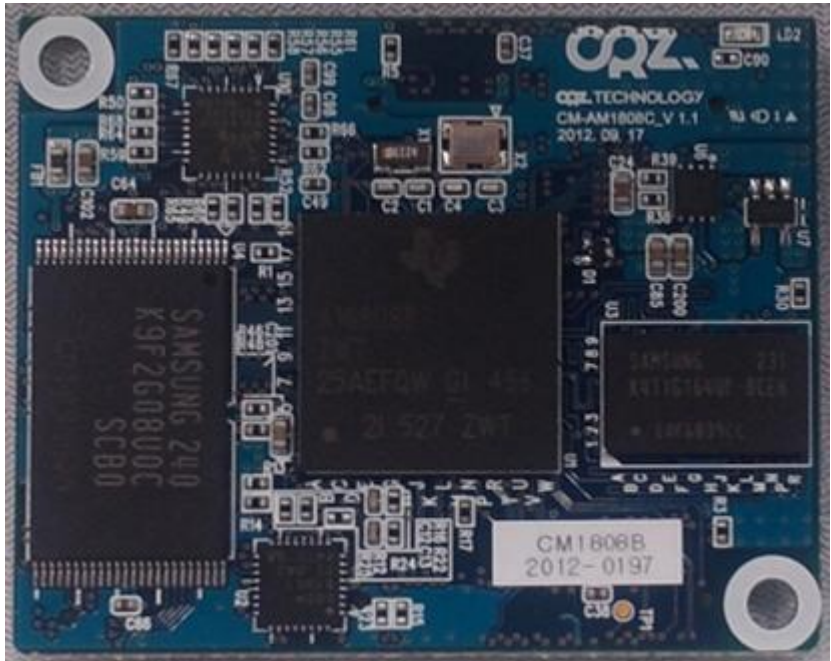
문의: help@crz-tech.com

팩스: 031-701-5024, 연락처: 031-701-5057

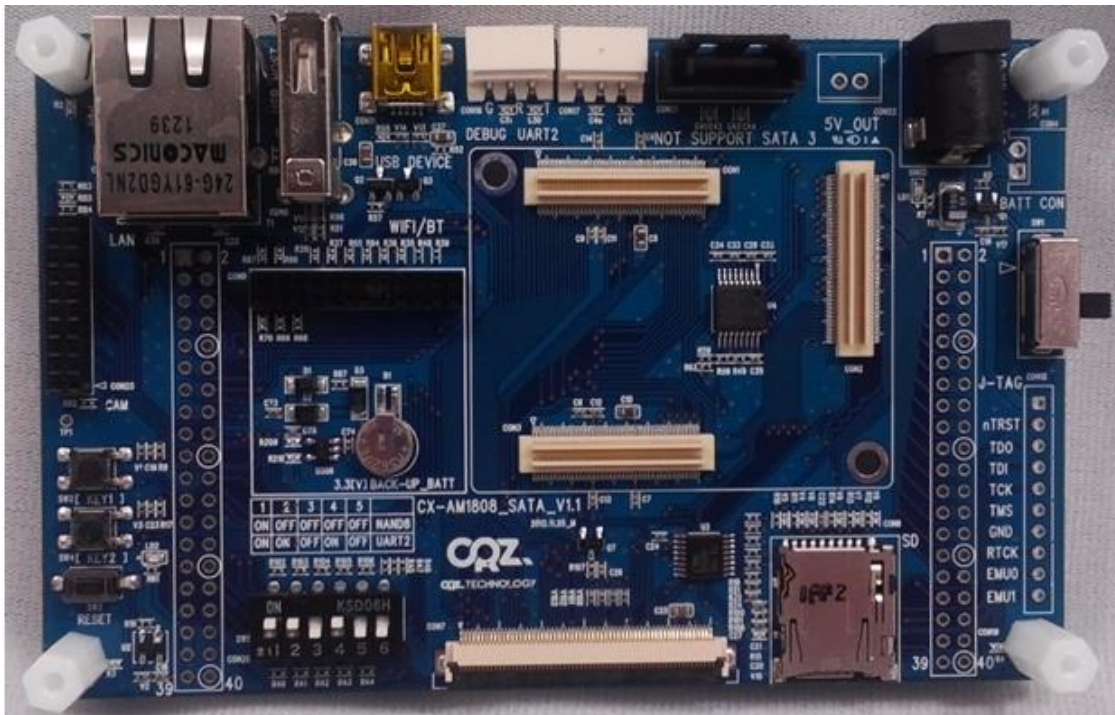
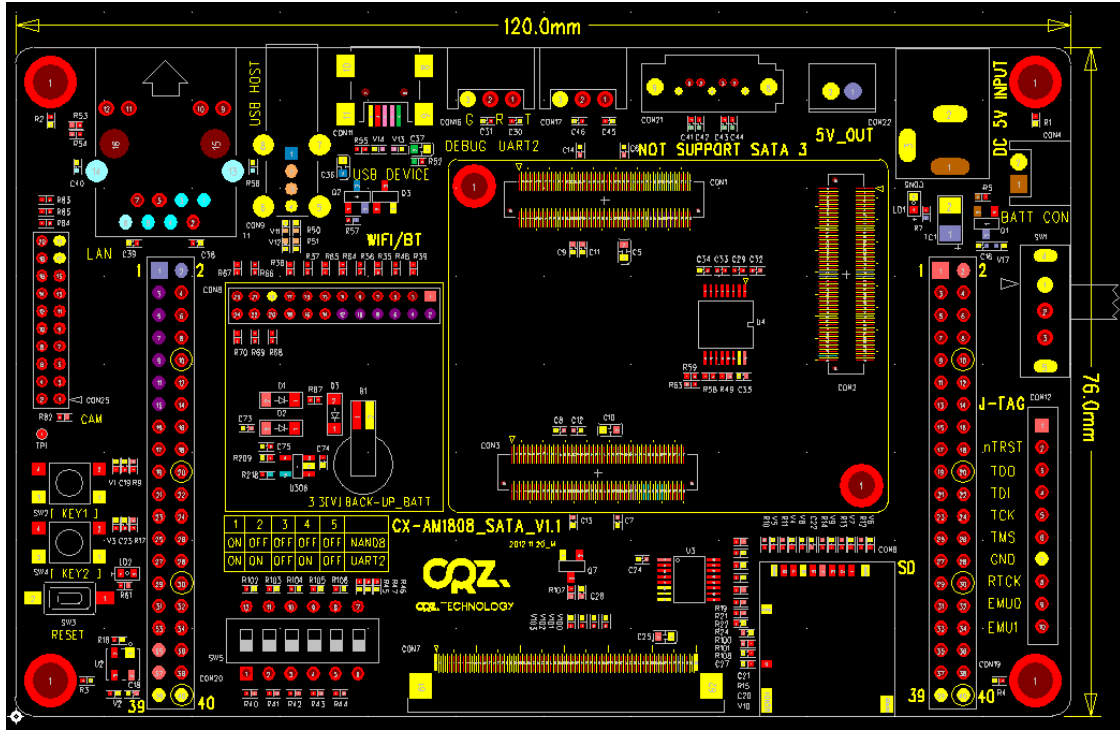
1. Mango1808 Hardware Specification

< AM1808 CM-AM1808 CPU Module >





Expansion Board(CX-AM1808)

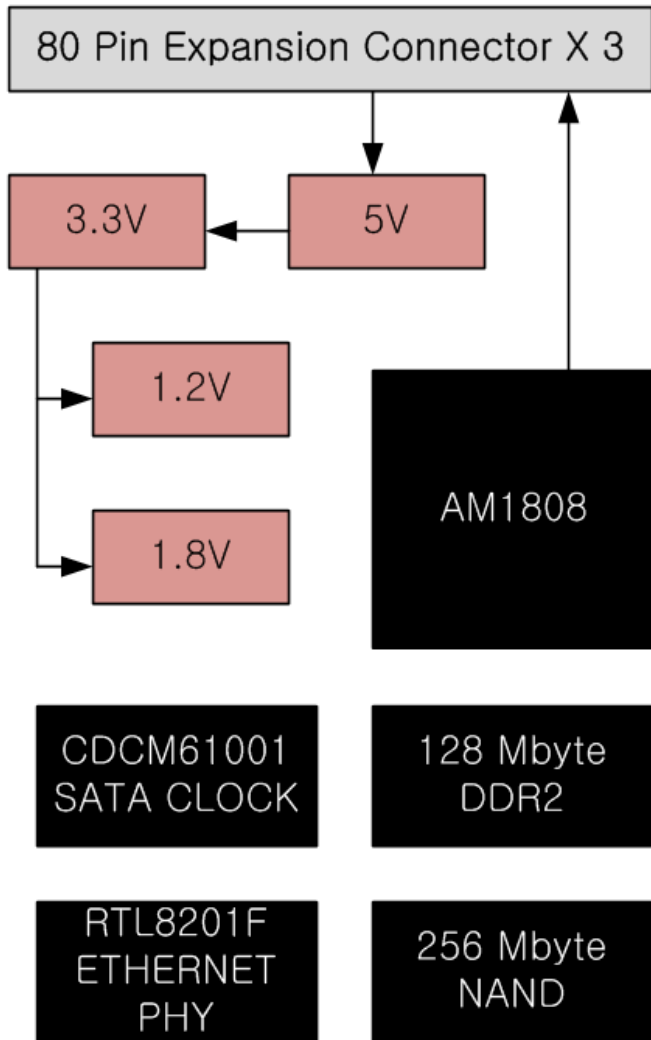


Hardware Specification

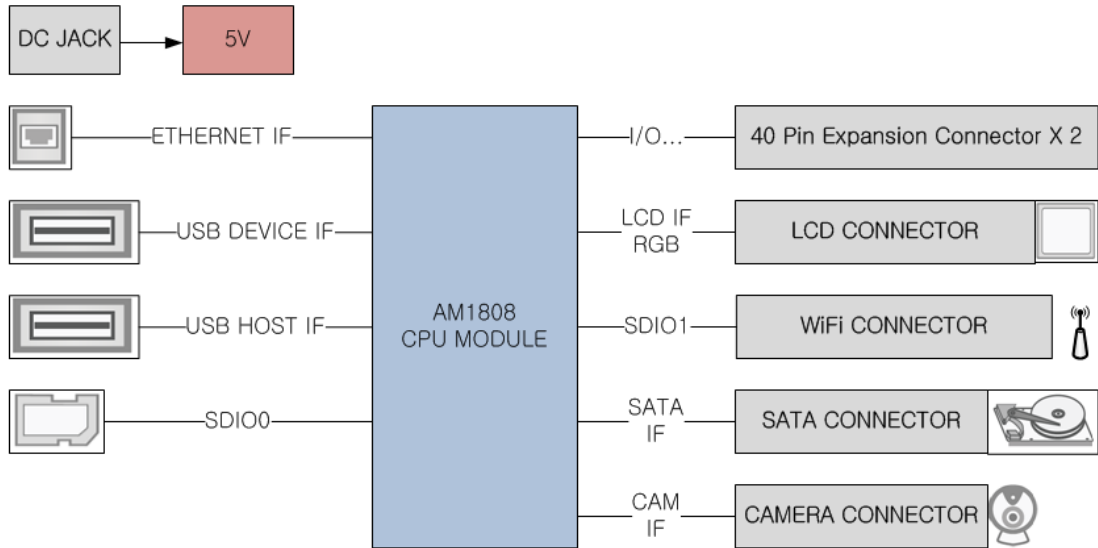
Processor	ARM926EJ AM1808 CPU
RAM	Mobile DDR2 128MB
Flash	SLC NAND Flash 256MB
Display	7" 800x480 with touch or 10.4" 800x600 with touch
Audio	Wolfson WM8960 with 1W Stereo Speaker Amplifier
USB Host 1.1	1 Port (Full Speed)
USB Device 2.0	1 Port
SD	SD/MMC Port0 (WiFi/BT) SD/MMC Port1 (SD Boot)
WiFi/BT	SDIO 0 Channel 802.11B,G,N
Camera	Parallel 1 Port
UART	UART2 (Debug) / UART1
Ethernet	10/100Mps Ethernet
Power	DC-JACK 5V, 1A
Button	Reset :1 , Button : 2
Boot Switch	1
LED indicator	1
Expansion Connector (80x2)	EBI, UART, I2C GPIO etc

Block Diagram

<CM AM1808 CPU Module>

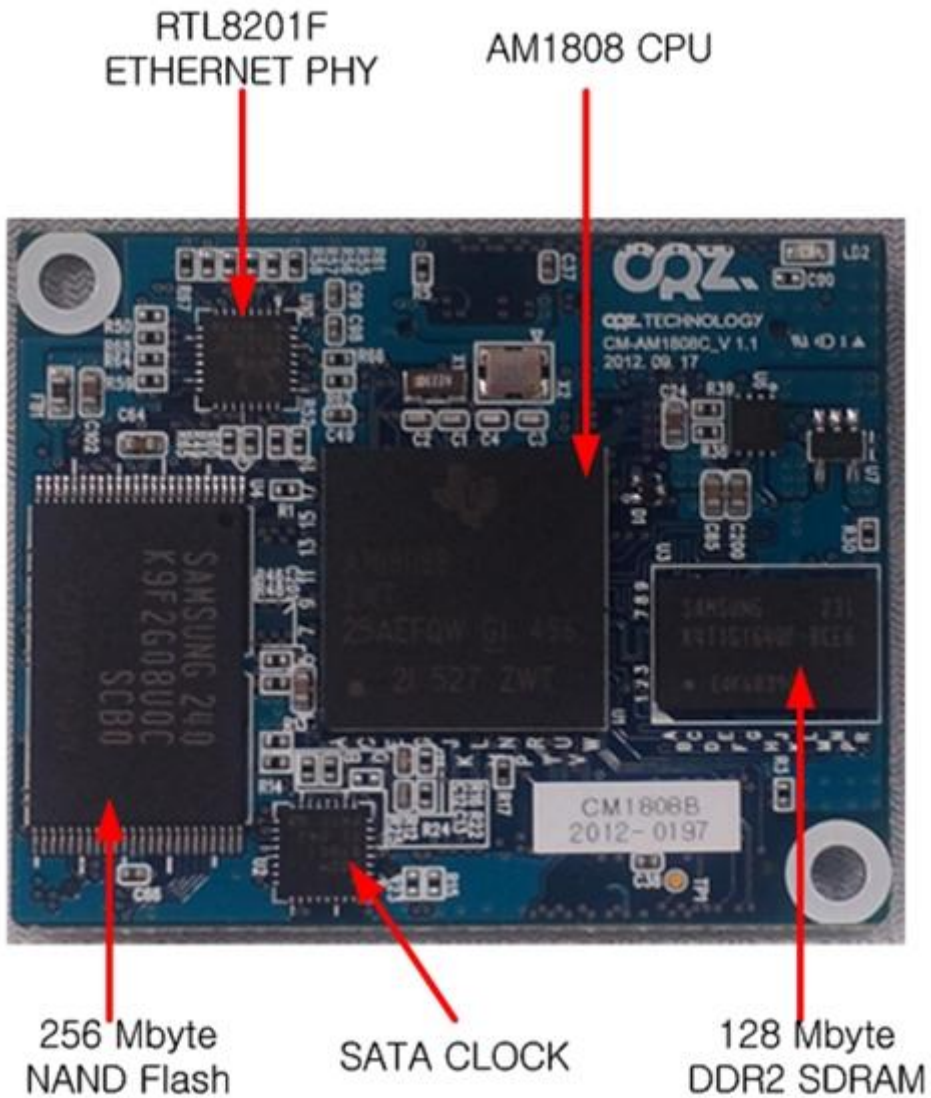


<CM AM1808 Base Board>

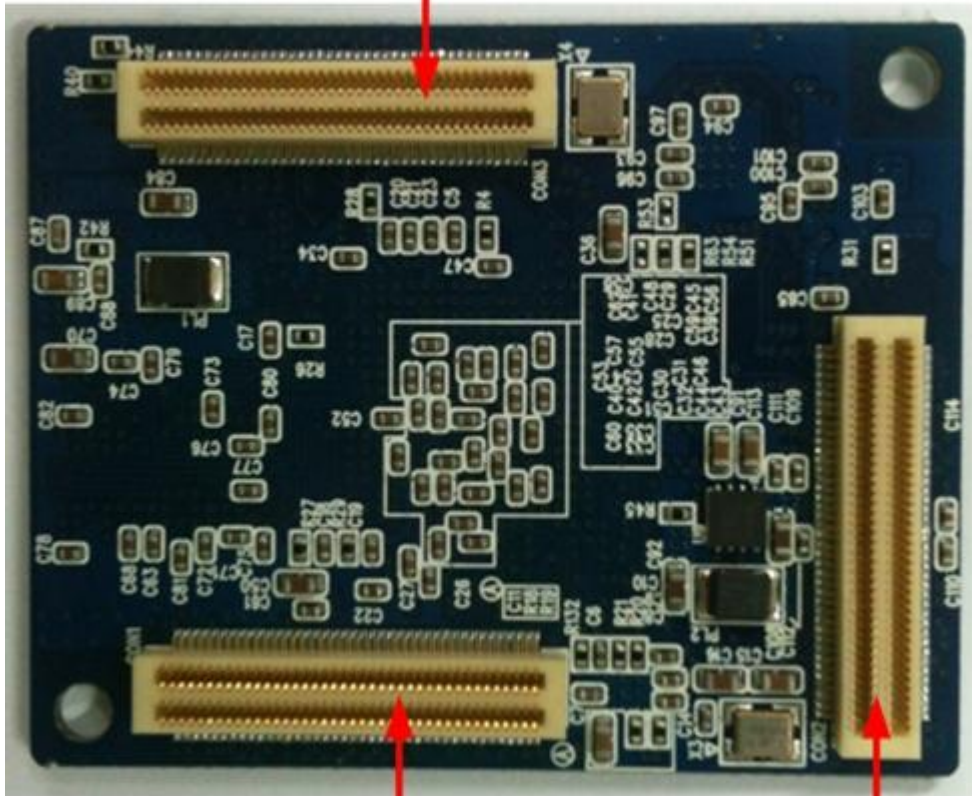


배치도

<CPU Module>

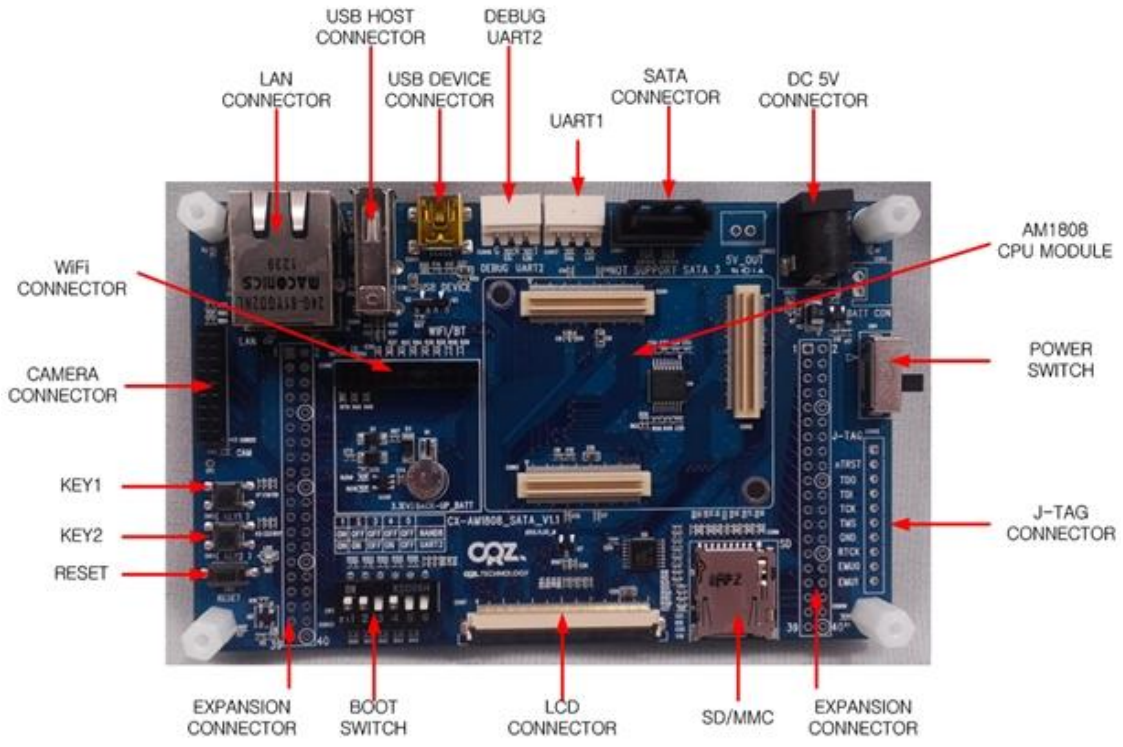


80P CONNECTOR
(CON3)

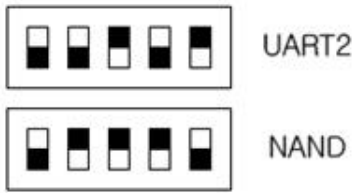


80P CONNECTOR
(CON1)

80P CONNECTOR
(CON2)



2. BOOT MODE



3. Manual

Datasheet : <http://www.ti.com/lit/ds/symlink/am1808.pdf>

Source : <http://crztech.iptime.org:8080/Release/mango1808/>

Linux :

https://docs.google.com/folder/d/0Bxdf_3fzbUgSckVQSmFvQXBqRIE/edit

References

<http://www.ti.com/product/am1808>

<http://www.ti.com/lit/ds/symlink/am1808.pdf>

Android: http://processors.wiki.ti.com/index.php/TI-AM1808-Android-FroYo-DevKit_UserGuide