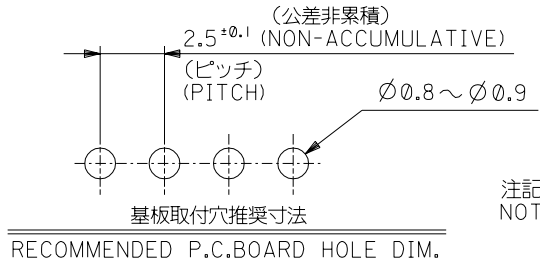
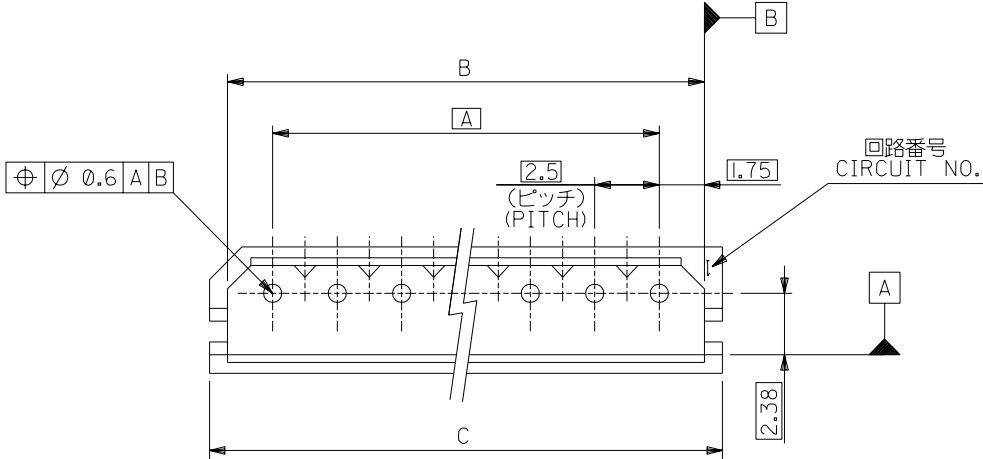
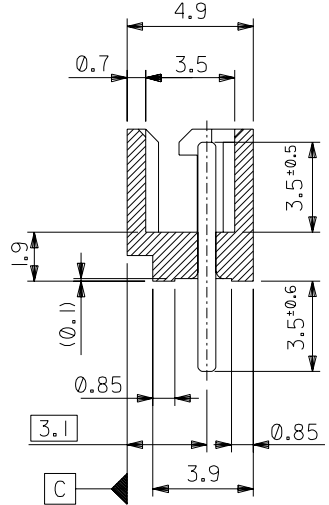
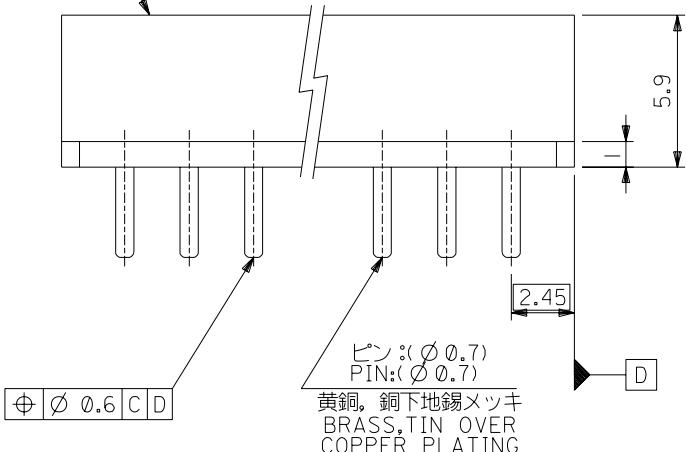


DWG. NO. SD-5267-NA



注記 NOTES:  
 1. 嵌合相手: 5264 シリーズ  
 MATES WITH: 5264 SERIES.

ウエハー: 66ナイロン。ガラス入り, UL 94V-0  
 WAFER: 66NYLON, GLASS REINFORCED, UL 94V-0



|      |      |      |            |          |                  |
|------|------|------|------------|----------|------------------|
| 39.9 | 38.5 | 35   | 22-03-5155 | 5267-15A | 15               |
| 37.4 | 36   | 32.5 | -5145      | -14A     | 14               |
| 34.9 | 33.5 | 30   | -5135      | -13A     | 13               |
| 32.4 | 31   | 27.5 | -5125      | -12A     | 12               |
| 29.9 | 28.5 | 25   | -5115      | -11A     | 11               |
| 27.4 | 26   | 22.5 | -5105      | -10A     | 10               |
| 24.9 | 23.5 | 20   | -5095      | -09A     | 9                |
| 22.4 | 21   | 17.5 | -5085      | -08A     | 8                |
| 19.9 | 18.5 | 15   | -5075      | -07A     | 7                |
| 17.4 | 16   | 12.5 | -5065      | -06A     | 6                |
| 14.9 | 13.5 | 10   | -5055      | -05A     | 5                |
| 12.4 | 11   | 7.5  | -5045      | -04A     | 4                |
| 9.9  | 8.5  | 5    | -5035      | -03A     | 3                |
| 7.4  | 6    | 2.5  | 22-03-5025 | 5267-02A | 2                |
| C    | B    | A    | EDP NO.    | ENG. NO. | 極数<br>NO OF CKT. |

|                         |       |                         |                      |          |          |                               |                            |   |
|-------------------------|-------|-------------------------|----------------------|----------|----------|-------------------------------|----------------------------|---|
| 角度 ANGLE                | ±3°   |                         |                      |          |          | 材料 MATERIAL                   | — / —                      | MOLEX-JAPAN CO., LTD.<br>日本モレックス株式会社<br>REVISE ONLY ON CAD SYSTEM<br>TITLE 名称<br><b>2.5 LOW PROFILE WAFER ASS'Y</b> |
| 30以上 OVER               | +0.3  | B 変更 REVISIED (JC60688) | n.h                  | Y.M      | 96/3/26  | 仕上げ FINISH                    | — / —                      |   |
| 10以上 OVER 30未下 UNDER    | +0.25 | A 変更 (J10590)           | K.T                  | H.H      | 91/7/26  | 適用電線範囲 WIRE RANGE             | — / —                      |   |
| 10未下 UNDER              | +0.2  | 0 新規作成 (J80546)         | Y.M                  | H.H      | 96/20/88 | 被覆外径 INS. RANGE               | — / —                      |   |
| 一般公差 GENERAL TOLERANCES |       | 記号 LTR                  | 変更内容 REVISION RECORD | DR. CHK. | 日付 DATE  | DRAWN BY 6/20/88 Y.MIZUNO     | CHK'D BY 96/03/26 Y.MIZUNO | DWG. NO. SD-5267-NA   |
|                         |       |                         |                      |          |          | APP'D BY 96/03/26 M.FUKUSHIMA | 尺度 SCALE 5:1               | REV B   |