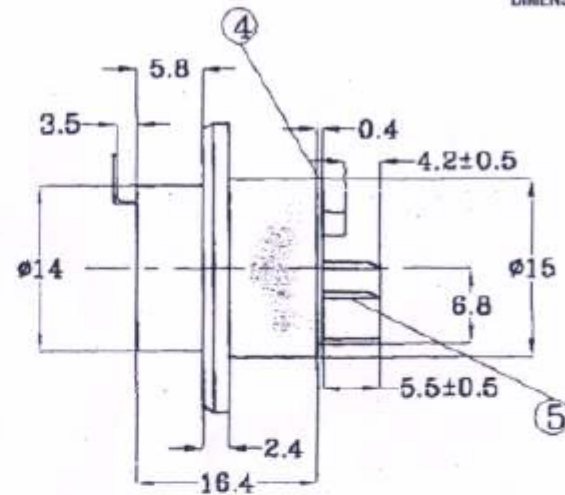
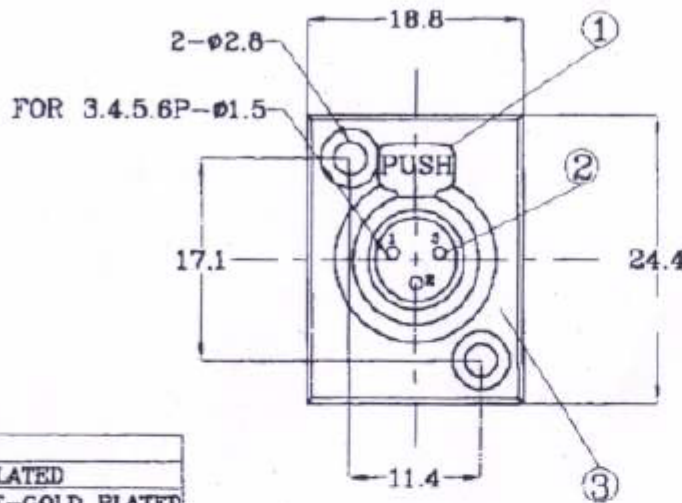


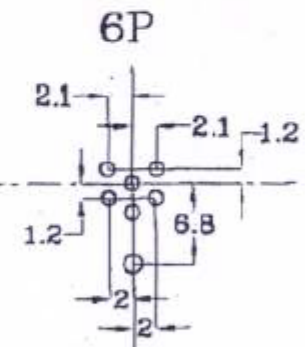
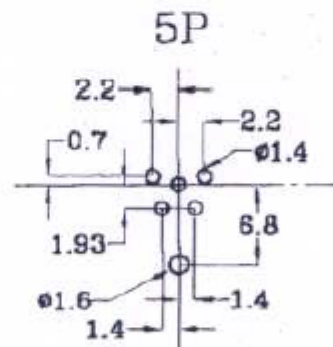
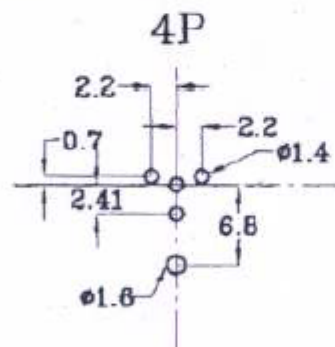
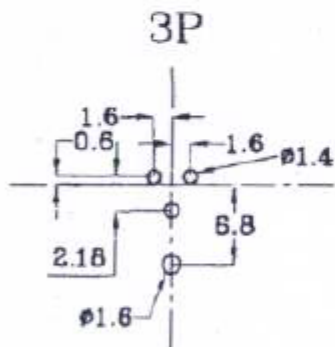
DIMENSIONS ARE IN MILLIMETERS

0.5-5 = +0.2  
 5-30 = +0.4  
 30-120 = +0.6  
 120-315 = +1  
 315-1000 = +1.6  
 1000-2000 = +2.4



MATERIAL	
1	BRONZE-NICKEL PLATED
2	PHOSPHOR BRONZE-GOLD PLATED
3	ZINC-NICKEL PLATED
4	BRONZE-NICKEL PLATED
5	PHOSPHOR BRONZE

RECOMMENDED P.C. BOARD LAYOUT



APPROVED BY :



Date: MAR. 29 2005

Description: MINI XLR FEMALE FOR CHASSIS MOUNT FOR 3,4,5,6 PIN

Part No.: MI-6690

File No.: 92M-507

