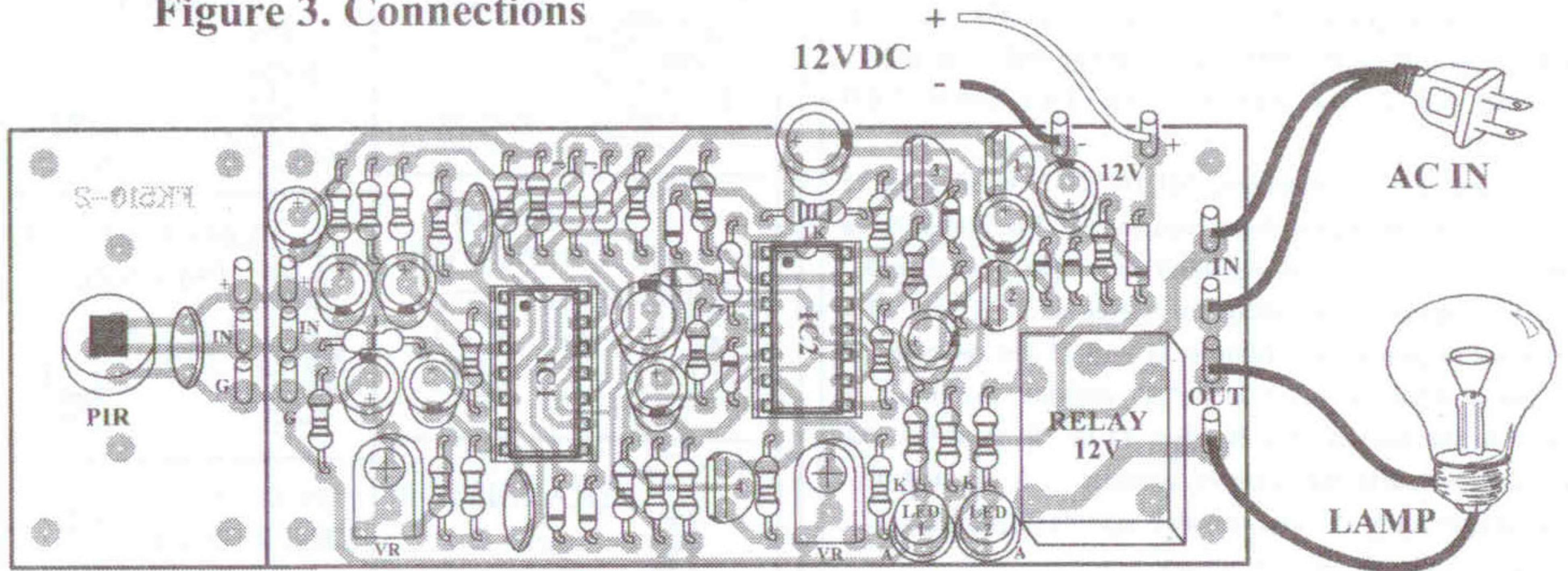
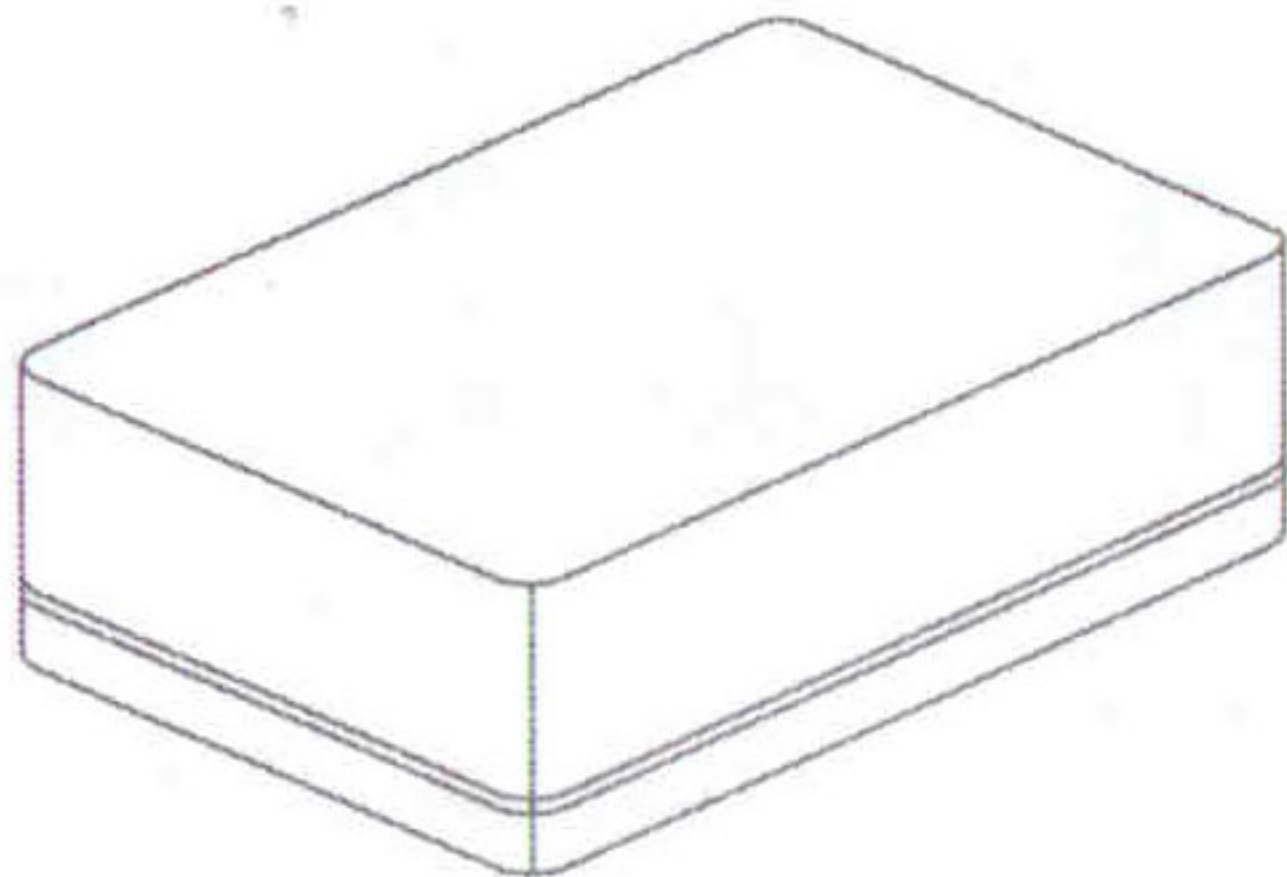


Figure 2. The passive infrared sensor switch circuit

Figure 3. Connections



FK510-2



**NOTE:**

**FUTURE BOX FB04 is suitable for this kit.**

NEW KIT SET



CODE FK	DESCRIPTION	POWER
167	FIREFLY LIGHT (NIGHT ACTIVATE)	3VDC.
275	THREE TRAIN SOUNDS (IC DIGITAL)	3VDC.
276	OWL VOICE (IC DIGITAL)	3VDC.
326	DUAL STATION INTERCOM&DOOR BELL (WITH 2 SPEAKER)	6-12VDC.
436	UHF REMOTE CONTROL 1 CH.	TX. 9VDC. RX. 12VDC.
673	MINI POWER AMP 1+1W. STEREO	3-12VDC.