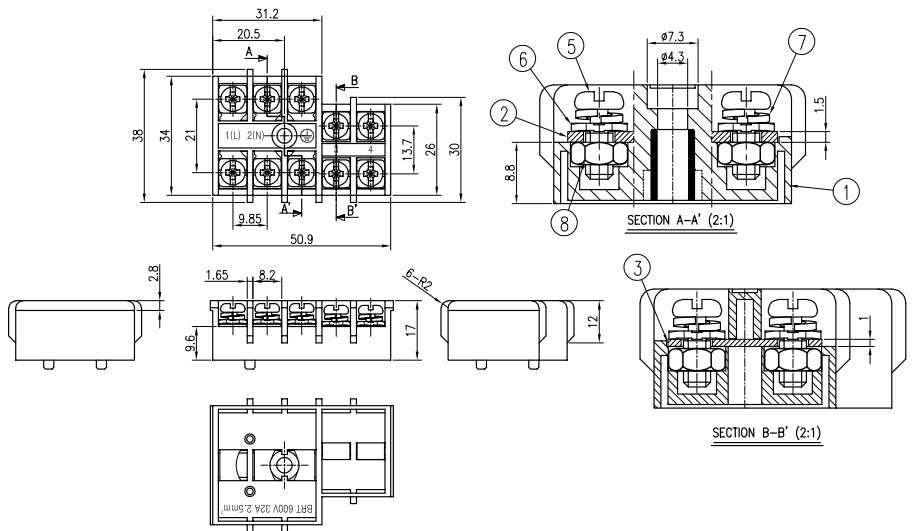
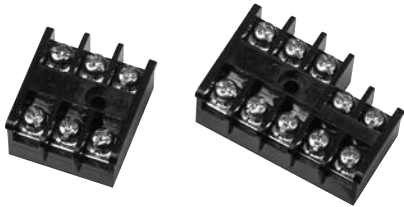


# BR-985PDB

(3,5P)



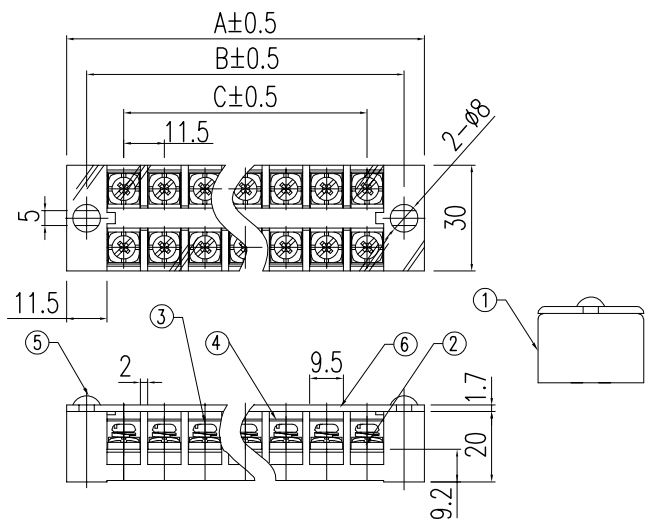
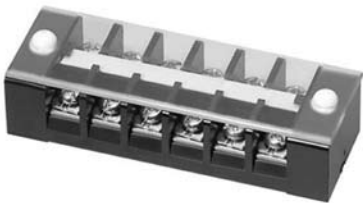
### Cover Option

- Rating : 600V 32A
- Insulation Resistance : More Than 1000MΩ DC 500V
- Withstand Voltage : AC2000V Per Minute
- Wire Size / Range : AWG10~18
- Maximum Acceptable Temperature : -40°C ~ +85°C

No	Component Part	Material	Standard	Plated	Remark
1	Frame	P.C.	UL94V-0	-	-
2	Terminal #1	BRASS	C2680R	Ni	t1.5
3	Terminal #2	BRASS	C2680R	Ni	t1.0
4	Bushing	P.C.	UL94HB	-	-
5	Screw	SWCH10A	-	Ni	M4 * 10
6	Washer	SPCC	-	Ni	□ 8.0 * 8.0
7	Spring Washer	HSWR62	-	Ni	Ø 6.7
8	Nut	SWCH10A	-	Ni	M4 * P0.7
9	Cover	P.C.	UL94V-2	-	투명

# BR-1150PD

(2~20)



- Rating : 250V 20A
- Insulation Resistance : More Than 1000MΩ DC 500V
- Withstand Voltage : AC2000V Per Minute
- Wire Size / Range : AWG14 ~ 22
- Maximum Acceptable Temperature : -40°C ~ +85°C

### A-B-C Dimension

No	Component Part	Material	Standard	Plated	Remark
1	Frame	P.C.	UL94V-0	-	-
2	Terminal Plate	BRASS	C2680	Ni	-
3	Screw	SWCH10A	-	Ni	M4 * 8
4	Marking Plate	P.V.C.	-	-	White
5	Cover Holder	LDPE	-	-	White
6	Cover	P.C.	UL94HB	-	투명

P	0	2	3	4	5	6	7	8	9	10	11	12	13	14	15	16	17	18	19	20
A±0.8	-	44	55.5	67	78.5	90	101.5	113	124.5	136	147.5	159	170.5	182	193.5	205	216.5	228	239.5	251
B±0.8	-	32.5	44	55.5	67	78.5	90	101.5	113	124.5	136	147.5	159	170.5	182	193.5	205	216.5	228	239.5
C±0.5	-	11.5	23	34.5	46	57.5	69	80.5	92	103.5	115	126.5	138	149.5	161	172.5	184	195.5	207	218.5